

**MATERIAL & FINISH:**

- 1 BODY: BRASS, ALBALOY PLATED
- 2 CENTER CONTACT: PHOSPHOR BRONZE, SILVER PLATED
- 3 OUTER CONTACT: PHOSPHOR BRONZE, SILVER PLATED
- 4 COUPLING NUT: BRASS, ALBALOY PLATED
- 5 RETAINING RING: BERYLLIUM, COPPER ALLOY, UNPLATED
- 6 INSULATOR: PTFE & PEI
- 7 GASKET: SILICONE RUBBER

**ENVIRONMENTAL DATA:**

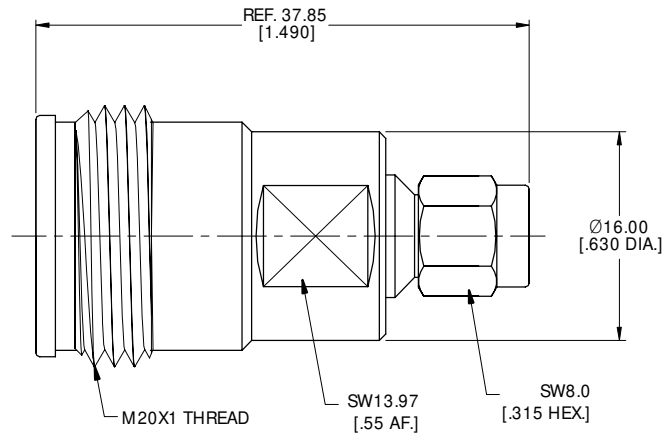
- 1 TEMPERATURE RANGE: -55 °C ~ +125 °C
- 2 2011/65/EU(RoHS) AND 2015/863/(RoHS): COMPLIANT
- 3 1907/2006/EC(REACH): COMPLIANT

**ELECTRICAL DATA:**

- 1 IMPEDANCE: 50 Ω
- 2 FREQUENCY RANGE: DC~6 GHz
- 3 VSWR: 1.20 MAX.
- 4 PIM3: < -160 DBC(2X43 DBM) AT 0.4~4 GHZ

**REVISIONS**

REV.	DESCRIPTION	DATE	APPROVED
A	INITIAL RELEASE	12/01/20	J QU



DRAWN	X. B. YANG	DATE	12/01/20
CHECKED	W. YANG	DATE	12/01/20
APPROVED	J QU	DATE	12/01/20

UNLESS OTHERWISE SPECIFIED DIMENSIONS ARE IN MILLIMETERS. DIMENSIONS IN [ ] ARE IN INCHES FOR CUSTOMER REFERENCE ONLY UNLESS OTHERWISE SPECIFIED TOLERANCE ARE:

.xx	±0.13 [.005"]
.x	±0.20 [.008"]
x	±0.50 [.019"]
.x°	±1°
x°	±2°

THESE DRAWINGS AND SPECIFICATIONS ARE THE PROPERTY OF ANOISON ELECTRONICS LTD AND SHOULD NOT BE USED WITHOUT WRITTEN PERMISSION COPYRIGHT © 2020 ANOISON ELECTRONICS LTD



TITLE	ADAPTER, 4.3-10 FEMALE TO SMA MALE		
VIEW	PART NO. ANO 472-211-1550		



SIZE	SCALE	SHEET	REV.
A3	2.5:1	1/1	A