

MATERIAL & FINISH:

- 1 BODY: BERYLLIUM COPPER ALLOY, GOLD PLATED
- 2 CENTER CONTACT: BERYLLIUM COPPER ALLOY, GOLD PLATED
- 3 INSULATOR: PTFE
- 4 SPRING: STAINLESS STEEL, PASSIVATED

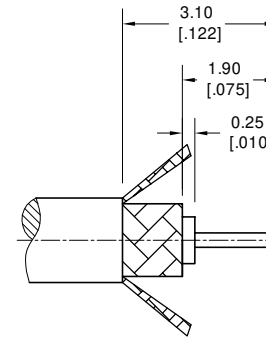
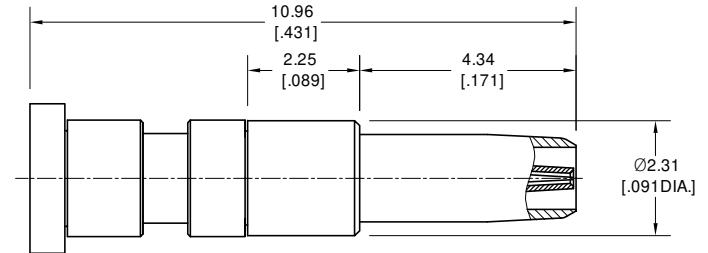
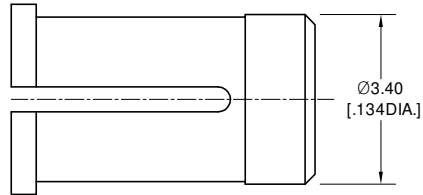
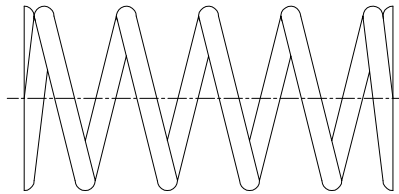
ELECTRICAL DATA:

- 1 IMPEDANCE: 50 Ω
- 2 FREQUENCY RANGE: DC~18 GHz
- 3 VSWR: 1.30 MAX.

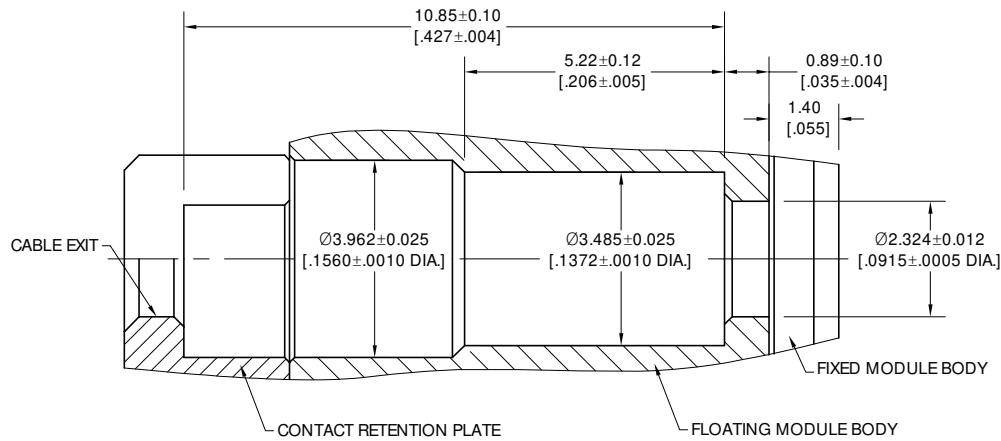
ENVIRONMENTAL DATA:

- 1 TEMPERATURE RANGE: -55 °C~+165 °C
- 2 2011/65/EU (RoHS) AND 2015/863/(RoHS): COMPLIANT
- 3 1999/45/EC (REACH): COMPLIANT

REVISIONS			
REV.	DESCRIPTION	DATE	APPROVED
A	INITIAL RELEASE	12/13/24	J Q



CABLE STRIPPING DIMENSIONS



RECOMMENDED MOUNTING HOLE
(VITA67.3 BackPlane, NanoRF is equivalent to TE P/N 2302345-1)

DRAWN	P. C	DATE	12/13/24
CHECKED	X. Y	DATE	12/13/24
APPROVED	J Q	DATE	12/13/24
UNLESS OTHERWISE SPECIFIED DIMENSIONS ARE IN MILLIMETERS, DIMENSIONS IN [] ARE IN INCHES FOR CUSTOMER REFERENCE ONLY UNLESS OTHERWISE SPECIFIED TOLERANCE ARE:		THESE DRAWINGS AND SPECIFICATIONS ARE THE PROPERTY OF ANOISON ELECTRONICS LTD AND SHOULD NOT BE USED WITHOUT WRITTEN PERMISSION COPYRIGHT © 2024 ANOISON ELECTRONICS LTD	
	XX	±0.13 [0.005"]	
	.X	±0.20 [0.008"]	
	X	±0.50 [0.019"]	
	.X°	±1°	
	X°	±2°	

TITLE NanoRF FEMALE VITA 67.3 BACKPLANE CONTACT SOLDER FOR MB067 CABLE (EQUIVALENT TO TE P/N 2302345-1)			
VIEW	PART NO. ANO 4112-2044		
	SIZE A3	SCALE 10:1	SHEET 1/1
		REV. A	