

4

3

2

1

MATERIAL & FINISH:

EIA 7/8 CONNECTOR:

- 1 BODY: BRASS, ALBALOY PLATED
- 2 CENTER CONTACT: BRASS, SILVER PLATED
- 3 INSULATOR: PTFE
- 4 FLANGE: BRASS, ALBALOY PLATED
- 5 GASKET: SILICONE RUBBER

ELECTRICAL DATA:

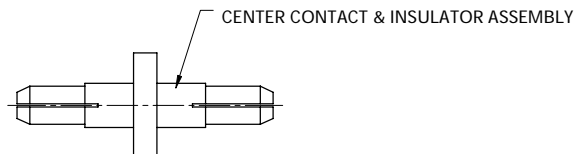
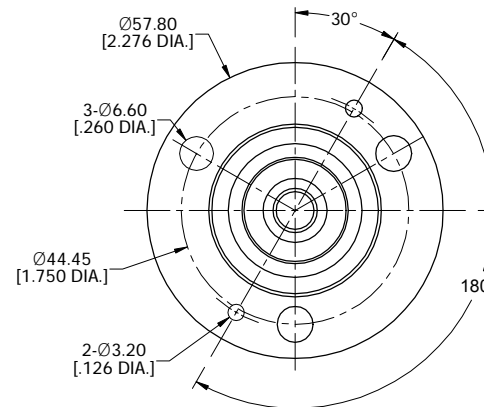
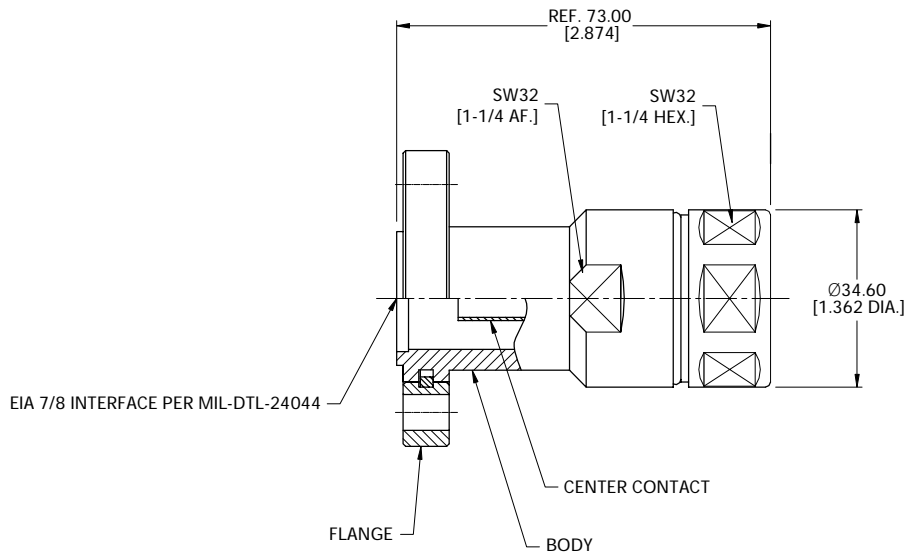
- 1 IMPEDANCE: 50 Ω
- 2 FREQUENCY RANGE: DC-3 GHZ

ENVIRONMENTAL DATA:

- 1 TEMPERATURE RANGE: -55°C - +125°C
- 2 2011/65/EU(RoHS) AND 2015/863/(RoHS): COMPLIANT
- 3 1999/45/EC(REACH): COMPLIANT

REVISIONS

REV.	DESCRIPTION	DATE	APPROVED
A	INITIAL RELEASE	02/25/25	J. Q



DRAWN	X. Y	DATE	02/25/25
CHECKED	W. Y	DATE	02/25/25
APPROVED	J. Q	DATE	02/25/25
UNLESS OTHERWISE SPECIFIED DIMENSIONS ARE IN MILLIMETERS, DIMENSIONS IN [] ARE IN INCHES FOR CUSTOMER REFERENCE ONLY UNLESS OTHERWISE SPECIFIED TOLERANCE ARE:		THESE DRAWINGS AND SPECIFICATIONS ARE THE PROPERTY OF ANOISON ELECTRONICS LTD AND SHOULD NOT BE USED WITHOUT WRITTEN PERMISSION COPYRIGHT © 2025 ANOISON ELECTRONICS LTD	
XX	±0.13 [005"]		
X	±0.20 [008"]		
X	±0.50 [019"]		
X°	±1°		
X"	±2°		



TITLE			
EIA 7/8 MALE SOLDER FOR 7/8" FEEDER CABLE			
VIEW		PART NO.	
		ANO 4111-2047	
SIZE	SCALE	SHEET	REV.
A3	1:1	1/1	A

4

3

2

1