

4

3

2

1

MATERIAL & FINISH

- 1 BODY: BRASS, SEE TABLE
- 2 CENTER CONTACT: BERYLLIUM COPPER ALLOY, SEE TABLE
- 3 INSULATOR: PTFE

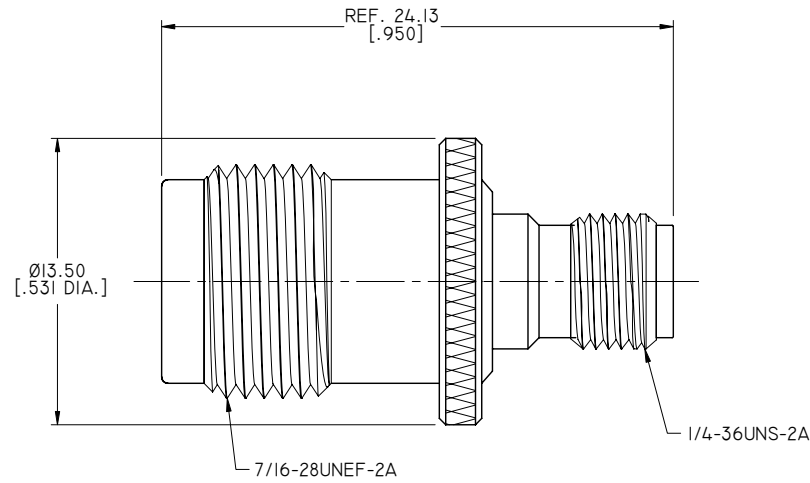
ENVIRONMENTAL DATA:

- 1 TEMPERATURE RANGE: -55°C~+125°C
- 2 2011/65/EU(RoHS) AND 2015/863/(RoHS): COMPLIANT
- 3 1907/2006/EC(REACH) AND 1999/45/EC(REACH): COMPLIANT

ELECTRICAL DATA:

- 1 IMPEDANCE: 50 OHMS
- 2 FREQUENCY RANGE: DC~11 GHZ
- 3 VSWR: 1.20 MAX. AT DC~6 GHZ  
1.30 MAX. AT 6~11 GHZ
- 4 INSERTION LOSS: 0.2 DB MAX.

REVISIONS			
REV.	DESCRIPTION	DATE	APPROVED
A	INITIAL RELEASE	07/20/17	J. QU
B	1. PART NO. ANO 2112-3410-1 ADDED 2. 24.13 [.950] WAS 24.30 [.957] 3. INSERTION LOSS AND PIM ADDED	08/06/19	J. QU



TABLE

PART NO.	BODY FINISH	CENTER CONTACT	PIM
ANO 332-212-1412	NICKEL	GOLD	—
ANO 332-212-1412-1	ALBALOY	SILVER	≤ -120 DBC

DRAWN	X. B. YANG	DATE	08/06/19
CHECKED	P. CHEN	DATE	08/06/19
APPROVED	J. QU	DATE	08/06/19
UNLESS OTHERWISE SPECIFIED DIMENSIONS ARE IN MILLIMETERS, DIMENSIONS IN [ ] ARE IN INCHES FOR CUSTOMER REFERENCE ONLY UNLESS OTHERWISE SPECIFIED TOLERANCE ARE:		THESE DRAWINGS AND SPECIFICATIONS ARE THE PROPERTY OF ANOISON ELECTRONICS LTD AND SHOULD NOT BE USED WITHOUT WRITTEN PERMISSION COPYRIGHT © 2019 ANOISON ELECTRONICS LTD	
.XX	±0.13 [.005"]		
.X	±0.20 [.008"]		
X	±0.50 [.019"]		
.X°	±1°		
X°	±2°		



TITLE			
ADAPTER, TNC FEMALE TO SMA FEMALE			
VIEW		PART NO.	
		ANO 332-212-1412	
SIZE	SCALE	SHEET	REV.
A3	4:1	1/1	B

4

3

2

1