

4

3

2

1

**MATERIAL & FINISH:**

- 1 BODY: BRASS, NICKEL PLATED
- 2 CENTER CONTACT: PHOSPHOR BRONZE, GOLD PLATED
- 3 COUPLING NUT: BRASS, NICKEL PLATED
- 4 RETAINING RING: PHOSPHOR BRONZE, UNPLATED
- 5 CRIMP FERRULE: COPPER, NICKEL PLATED
- 6 INSULATOR: PTFE
- 7 GASKET: SILICONE RUBBER

**ELECTRICAL DATA:**

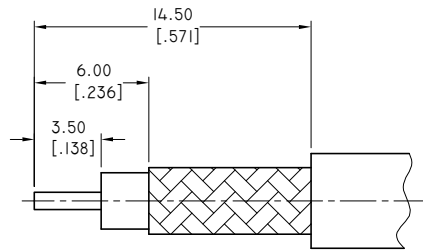
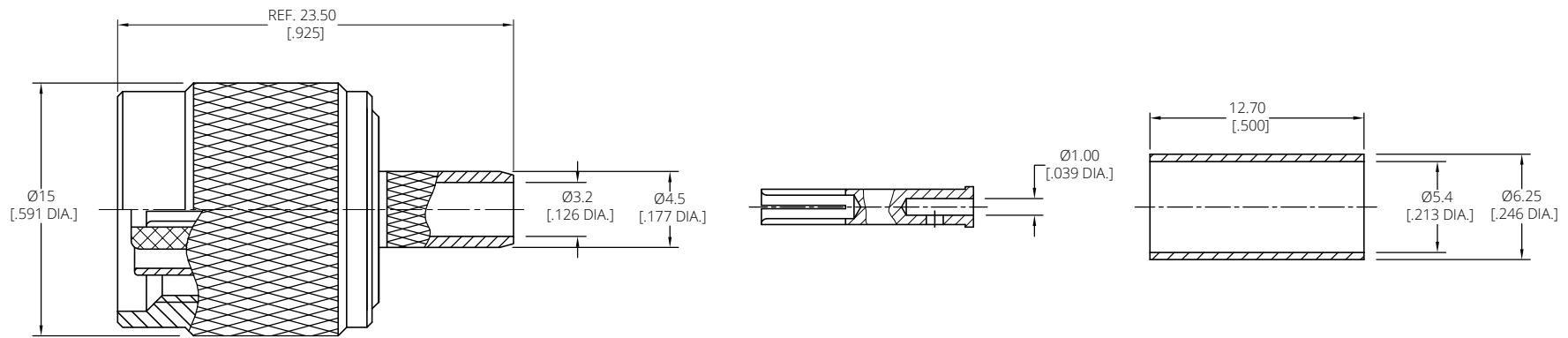
- 1 IMPEDANCE: 50 Ω
- 2 FREQUENCY RANGE: DC-6 GHZ

**ENVIRONMENTAL DATA:**

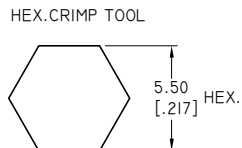
- 1 TEMPERATURE RANGE: -55 °C~+125 °C
- 2 2011/65/EU (RoHS): COMPLIANT

REVISIONS

REV.	DESCRIPTION	DATE	APPROVED
A	INITIAL RELEASE	12/09/12	J. QU



CABLE STRIPPING DIMENSIONS

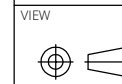


CRIMP WIDTH: 10 [.394]

DRAWN	L. YANG	DATE	12/09/12
CHECKED	X. B. YANG	DATE	12/09/12
APPROVED	J. QU	DATE	12/09/12
UNLESS OTHERWISE SPECIFIED DIMENSIONS ARE IN MILLIMETERS, DIMENSIONS IN [ ] ARE IN INCHES FOR CUSTOMER REFERENCE ONLY UNLESS OTHERWISE SPECIFIED TOLERANCE ARE:		THESE DRAWINGS AND SPECIFICATIONS ARE THE PROPERTY OF ANOISON ELECTRONICS LTD AND SHOULD NOT BE USED WITHOUT WRITTEN PERMISSION COPYRIGHT © 2012 ANOISON ELECTRONICS LTD	
.XX	±0.13 [.005"]		
.X	±0.20 [.008"]		
X	±0.50 [.019"]		
.X°	±1°		
X°	±2°		



TITLE  
RP TNC STRAIGHT MALE CRIMP FOR LMR195 CABLE



PART NO. ANO 3313-2005			
SIZE A3	SCALE 4:1	SHEET 1/1	REV. A

4

3

2

1