

4

3

2

1

REVISIONS			
REV.	DESCRIPTION	DATE	APPROVED
A	INITIAL RELEASE	10/28/20	J. QU

1.0 MATERIAL & FINISH:

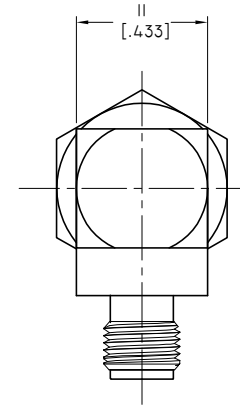
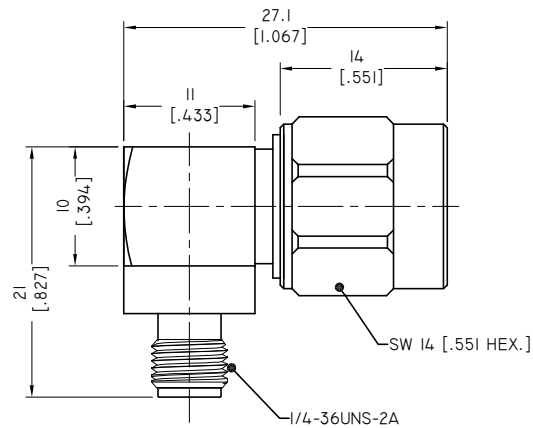
- 1.1 BODY: BRASS, ALBALOY PLATED
 1.2 CENTER CONTACT: PHOSPHOR BRONZE, SILVER PLATED
 1.3 INSULATOR: PTFE
 1.4 COUPLING NUT: BRASS, ALBALOY PLATED
 1.5 RETAINING RING: PHOSPHOR BRONZE, ALBALOY PLATED
 1.6 GASKET: MVQ

2.0 ENVIRONMENTAL DATA:

- 2.1 TEMPERATURE RANGE: -40°C~+125°C
 2.2 2011/65/EU(RoHS) AND 2015/863/(RoHS): COMPLIANT
 2.3 1907/2006/EC(REACH) AND 1999/45/EC(REACH): COMPLIANT

3.0 ELECTRICAL DATA:

- 3.1 IMPEDANCE: 50 Ω
 3.2 FREQUENCY RANGE: DC~6 GHz
 3.3 VSWR: 1.28 MAX.
 3.4 PIM3: ≥ 130 DBC (2X43DBM) AT 900 MHZ



DRAWN	W. YANG	DATE	10/28/20											
CHECKED	L. YANG	DATE	10/28/20											
APPROVED	J. QU	DATE	10/28/20											
UNLESS OTHERWISE SPECIFIED DIMENSIONS ARE IN MILLIMETERS, DIMENSIONS IN [] ARE IN INCHES FOR CUSTOMER REFERENCE ONLY UNLESS OTHERWISE SPECIFIED TOLERANCE ARE:				TITLE ADAPTER, RIGHT ANGLE, TNC MALE TO SMA FEMALE										
<table border="0"> <tr> <td>.XX</td> <td>±0.13 [0.05"]</td> <td rowspan="5">THESE DRAWINGS AND SPECIFICATIONS ARE THE PROPERTY OF ANOISON ELECTRONICS LTD AND SHOULD NOT BE USED WITHOUT WRITTEN PERMISSION COPYRIGHT © 2020 ANOISON ELECTRONICS LTD</td> </tr> <tr> <td>.X</td> <td>±0.20 [0.08"]</td> </tr> <tr> <td>X</td> <td>±0.50 [0.019"]</td> </tr> <tr> <td>.X°</td> <td>±1°</td> </tr> <tr> <td>X°</td> <td>±2°</td> </tr> </table>					.XX	±0.13 [0.05"]	THESE DRAWINGS AND SPECIFICATIONS ARE THE PROPERTY OF ANOISON ELECTRONICS LTD AND SHOULD NOT BE USED WITHOUT WRITTEN PERMISSION COPYRIGHT © 2020 ANOISON ELECTRONICS LTD	.X	±0.20 [0.08"]	X	±0.50 [0.019"]	.X°	±1°	X°
.XX	±0.13 [0.05"]	THESE DRAWINGS AND SPECIFICATIONS ARE THE PROPERTY OF ANOISON ELECTRONICS LTD AND SHOULD NOT BE USED WITHOUT WRITTEN PERMISSION COPYRIGHT © 2020 ANOISON ELECTRONICS LTD												
.X	±0.20 [0.08"]													
X	±0.50 [0.019"]													
.X°	±1°													
X°	±2°													
VIEW		PART NO. ANO 331-212-2544												
		SIZE A3	SCALE 2.5:1	SHEET 1/1										
		REV. A												

4

3

2

1