

4

3

2

1

MATERIAL & FINISH

- 1 BODY: BRASS, SEE TABLE
- 2 CENTER CONTACT: BERYLLIUM COPPER ALLOY, SEE TABLE
- 3 INSULATOR: PTFE
- 4 COUPLING NUT: BRASS, SEE TABLE
- 5 GASKET: SILICONE RUBBER

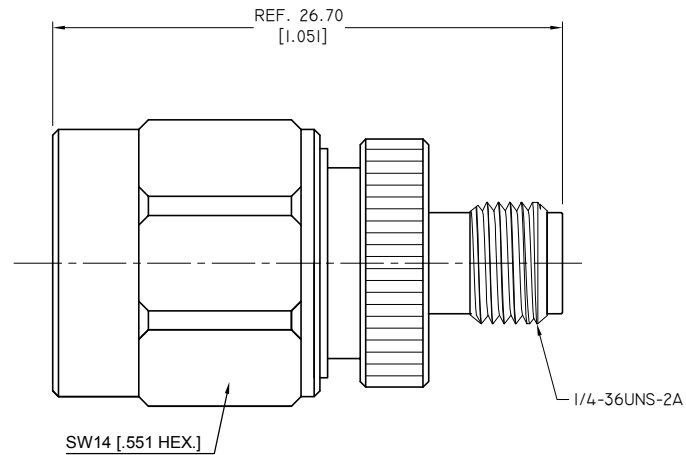
ENVIRONMENTAL DATA:

- 1 TEMPERATURE RANGE: -55°C~+125°C
- 2 2011/65/EU(RoHS) AND 2015/863/(RoHS): COMPLIANT
- 3 1907/2006/EC(REACH) AND 1999/45/EC(REACH): COMPLIANT

ELECTRICAL DATA:

- 1 IMPEDANCE: 50 OHMS
- 2 FREQUENCY RANGE: DC~11 GHZ
- 3 VSWR: 1.20 MAX. AT DC~6 GHZ
1.30 MAX. AT 6~11 GHZ
- 4 INSERTION LOSS: 0.2 DB MAX.

REVISIONS			
REV.	DESCRIPTION	DATE	APPROVED
A	INITIAL RELEASE	10/27/20	J. QU



TABLE

PART NO.	BODY FINISH	CENTER CONTACT	COUPLING NUT	PIM
ANO 331-212-1543	NICKEL	GOLD	NICKEL	—
ANO 331-212-1543-1	ALBALOY	SILVER	ALBALOY	≤ -150 DBC

DRAWN W. YANG	DATE 10/28/20	
CHECKED X. B. YANG	DATE 10/28/20	
APPROVED J. QU	DATE 10/28/20	
UNLESS OTHERWISE SPECIFIED DIMENSIONS ARE IN MILLIMETERS, DIMENSIONS IN [] ARE IN INCHES FOR CUSTOMER REFERENCE ONLY UNLESS OTHERWISE SPECIFIED TOLERANCE ARE:		TITLE ADAPTER, TNC MALE TO SMA FEMALE
THESE DRAWINGS AND SPECIFICATIONS ARE THE PROPERTY OF ANOISON ELECTRONICS LTD AND SHOULD NOT BE USED WITHOUT WRITTEN PERMISSION COPYRIGHT © 2020 ANOISON ELECTRONICS LTD		VIEW
.XX ±0.13 [.005"] .X ±0.20 [.008"] X ±0.50 [.019"] .X° ±1° X° ±2°		PART NO. ANO 331-212-1543
SIZE A3	SCALE 4:1	SHEET 1/1
REV. A		