

MATERIAL & FINISH:

- 1 BODY: BRASS, NICKEL PLATED
- 2 CENTER CONTACT: PHOSPHOR BRONZE, GOLD PLATED
- 3 INSULATOR: PTFE
- 4 COUPLING NUT: BRASS, NICKEL PLATED

ELECTRICAL DATA:

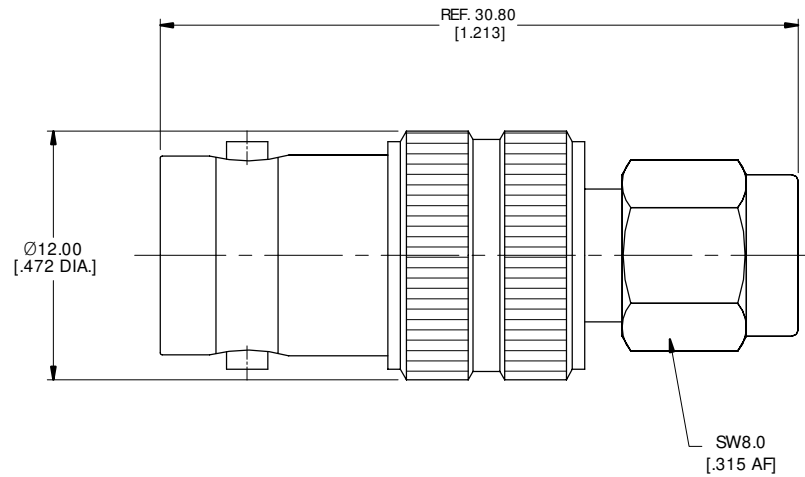
- 1 IMPEDANCE: 50 Ω
- 2 FREQUENCY RANGE: DC~4 GHz

ENVIRONMENTAL DATA:

- 1 TEMPERATURE RANGE: -55°C~+125°C
- 2 2011/65/EU(RoHS) AND 2015/863/(RoHS): COMPLIANT
- 3 1907/2006/EC(REACH): COMPLIANT

REVISIONS

| REV. | DESCRIPTION | DATE | APPROVED |
|------|-------------------------|----------|----------|
| A | INITIAL RELEASE | 12/10/18 | J QU |
| B | OUTLINE DRAWING CHANGED | 07/08/20 | J QU |



| | | | |
|---|------------|--|----------|
| DRAWN | X. B. YANG | DATE | 07/08/20 |
| CHECKED | W. YANG | DATE | 07/08/20 |
| APPROVED | J QU | DATE | 07/08/20 |
| UNLESS OTHERWISE SPECIFIED DIMENSIONS ARE IN MILLIMETERS, DIMENSIONS IN [] ARE IN INCHES FOR CUSTOMER REFERENCE ONLY UNLESS OTHERWISE SPECIFIED TOLERANCE ARE: | | THESE DRAWINGS AND SPECIFICATIONS ARE THE PROPERTY OF ANOISON ELECTRONICS LTD AND SHOULD NOT BE USED WITHOUT WRITTEN PERMISSION COPYRIGHT © 2020 ANOISON ELECTRONICS LTD | |
| | .XX | ±0.13 | [.005"] |
| | .X | ±0.20 | [.008"] |
| | X | ±0.50 | [.019"] |
| | .X° | ±1° | |
| | X° | ±2° | |



| | | | |
|---------------------------------|-------|------------------|------|
| TITLE | | | |
| ADAPTER, BNC FEMALE TO SMA MALE | | | |
| VIEW | | PART NO. | |
| | | ANO 312-211-1473 | |
| SIZE | SCALE | SHEET | REV. |
| A3 | 4:1 | 1/1 | B |