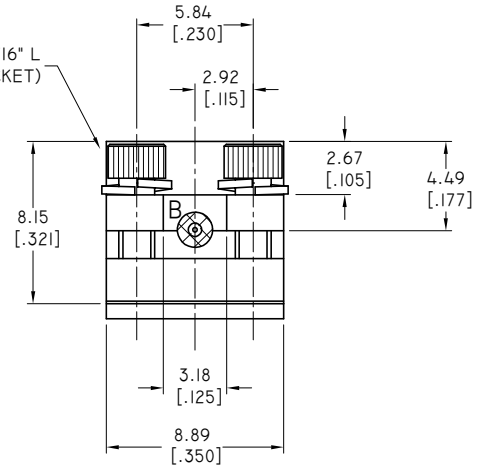
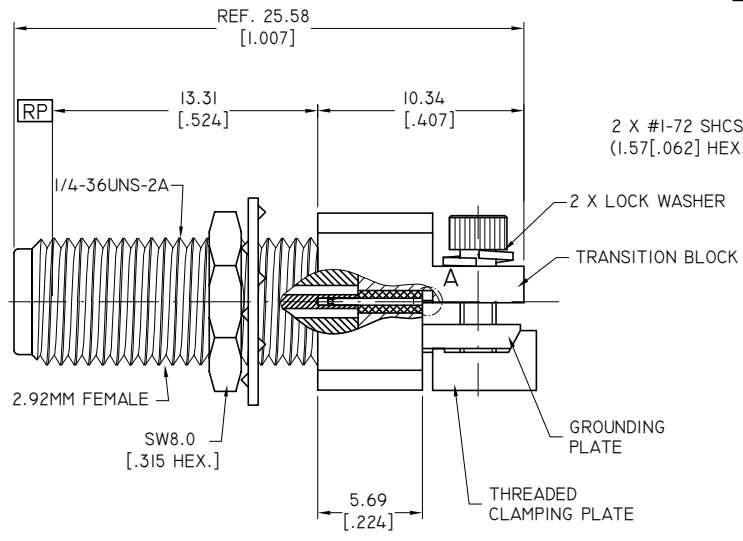
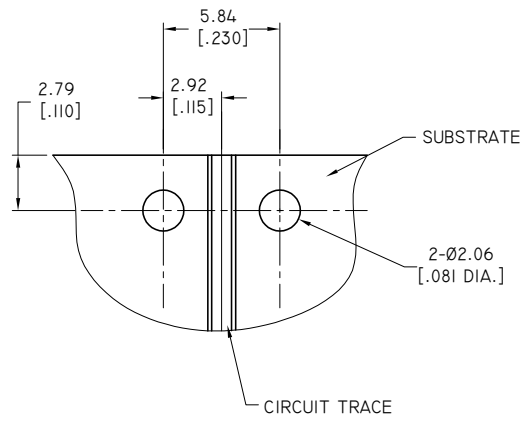
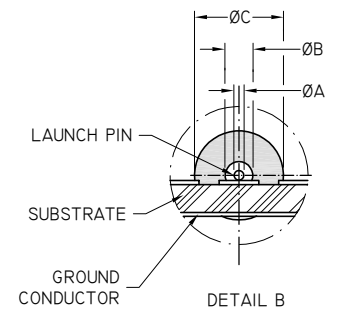
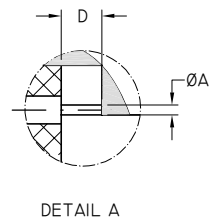


REVISIONS			
REV.	DESCRIPTION	DATE	APPROVED
A	INITIAL RELEASE	06/30/23	J. Q



- 2.92MM CONNECTOR**
1. BODY: STAINLESS STEEL, PASSIVATED
 2. CENTER CONTACT: BERYLLIUM COPPER ALLOY, GOLD PLATED
 3. INSULATOR: PEI
- TRANSITION BLOCK**
1. TRANSITION BLOCK: BRASS, NICKEL PLATED
 2. THREADED CLAMPING PLATE: BRASS, NICKEL PLATED
 3. LAUNCH PIN: BERYLLIUM COPPER ALLOY, GOLD PLATED
 4. TRANSITION BLOCK DIELECTRIC: PTFE
- ENVIRONMENTAL DATA:**
1. TEMPERATURE RANGE: -55°C~+125°C
 2. 2011/65/EU (RoHS): COMPLIANT
- ELECTRICAL SPECIFICATIONS:**
1. IMPEDANCE: 50 Ω
 2. FREQUENCY RANGE: DC~40 GHZ



PART NO.	Ø A	Ø B	Ø C	D
ANO 292-BI	0.13 [.005]	0.23 [.009]	0.75 [.0295]	0.76 [.030]

DRAWN	W. Y	DATE	06/30/23
CHECKED	X. Y	DATE	06/30/23
APPROVED	J. Q	DATE	06/30/23
UNLESS OTHERWISE SPECIFIED DIMENSIONS ARE IN MILLIMETERS, DIMENSIONS IN [] ARE IN INCHES FOR CUSTOMER REFERENCE ONLY UNLESS OTHERWISE SPECIFIED TOLERANCE ARE:		THESE DRAWINGS AND SPECIFICATIONS ARE THE PROPERTY OF ANOISON ELECTRONICS LTD AND SHOULD NOT BE USED WITHOUT WRITTEN PERMISSION COPYRIGHT © 2023 ANOISON ELECTRONICS LTD	
.XX	±0.13 [.005"]		
.X	±0.20 [.008"]		
.X*	±0.50 [.019"]		
X°	±1°		
X*	±2°		

ANOISON

TITLE
2.92MM FEMALE END LAUNCH CONNECTOR
SUPER SMALL END LAUNCH

VIEW

PART NO.
ANO 292-BI

SIZE	SCALE	SHEET	REV.
A3	4:1	1/1	A