

REVISIONS			
REV.	DESCRIPTION	DATE	APPROVED
A	INITIAL RELEASE	09/20/18	J. QU

MATERIAL & FINISH:

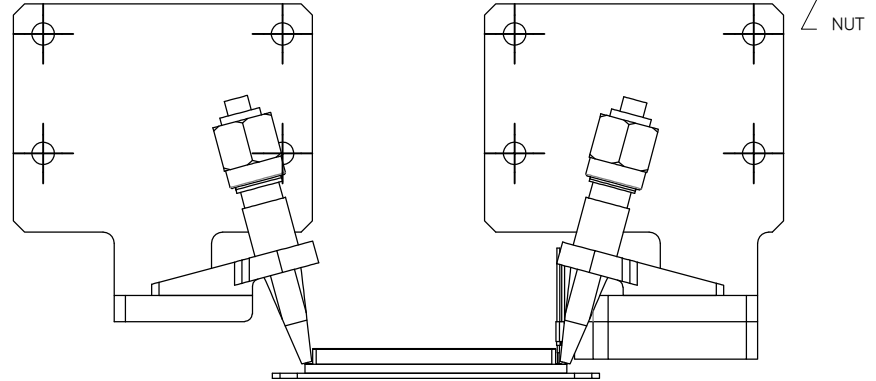
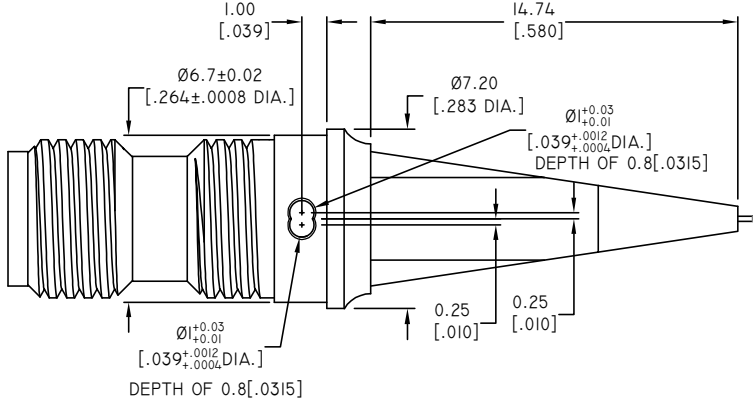
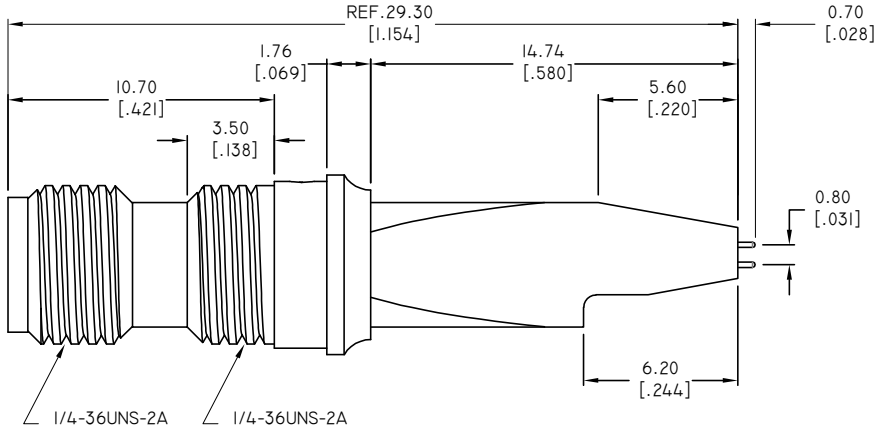
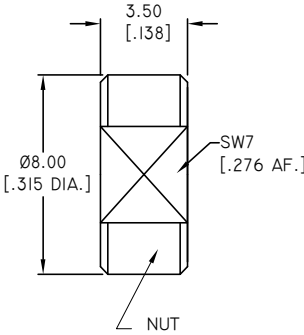
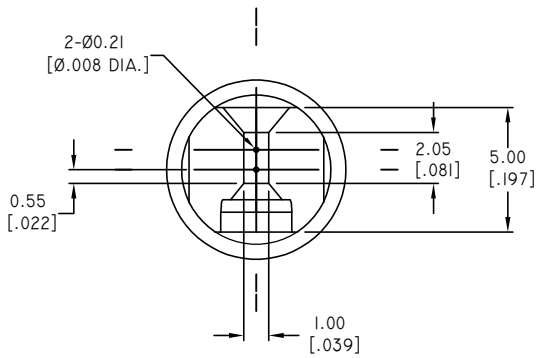
1. BODY: BRASS, NICKEL PLATED
2. CENTER CONTACT: BERYLLIUM COPPER ALLOY, GOLD PLATED
3. INSULATOR: PEI & PTFE
4. NUT: BRASS, NICKEL PLATED

ENVIRONMENTAL DATA:

1. TEMPERATURE RANGE: -55°C~+125°C
2. 2011/65/EU(RoHS): COMPLIANT

ELECTRICAL DATA:

1. IMPEDANCE: 50 Ω
2. FREQUENCY RANGE: DC~40 GHz
3. RETURN LOSS: ≤10 dB
4. INSERTION LOSS: ≤0.5 dB



DRAWN	W. YANG	DATE	09/20/18
CHECKED	X. B. YANG	DATE	09/20/18
APPROVED	J. QU	DATE	09/20/18
UNLESS OTHERWISE SPECIFIED DIMENSIONS ARE IN MILLIMETERS, DIMENSIONS IN [] ARE IN INCHES FOR CUSTOMER REFERENCE ONLY UNLESS OTHERWISE SPECIFIED TOLERANCE ARE:		THESE DRAWINGS AND SPECIFICATIONS ARE THE PROPERTY OF ANOISON ELECTRONICS LTD AND SHOULD NOT BE USED WITHOUT WRITTEN PERMISSION COPYRIGHT © 2018 ANOISON ELECTRONICS LTD	
.XX	±0.13 [.005"		
.X	±0.20 [.008"		
X	±0.50 [.019"		
X°	±1°		
X"	±2°		



TITLE
TEST PROBE, 2.92MM FEMALE CONNECTOR, ONE SIDE GROUND, ONE GROUNDING PIN, HOLE DISTANCES 0.8MM

VIEW	PART NO.			
	ANO2912-6090	SIZE	SCALE	SHEET
		A3	5:1	1/1
				REV. A