

4

3

2

1

MATERIAL & FINISH:

- 1 BODY: STAINLESS STEEL, PASSIVATED
- 2 CENTER CONTACT: BERYLLIUM COPPER ALLOY, GOLD PLATED
- 3 INSULATOR: PTFE & PEI
- 4 SCREWS: STAINLESS STEEL, PASSIVATED

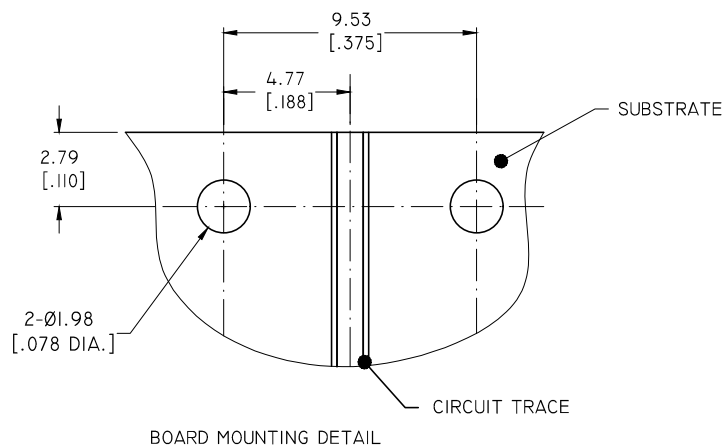
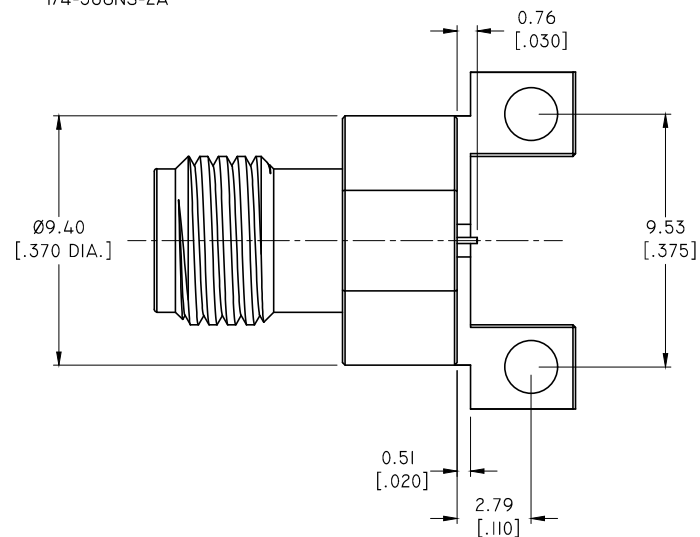
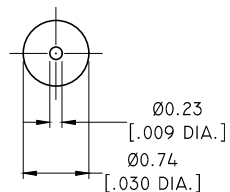
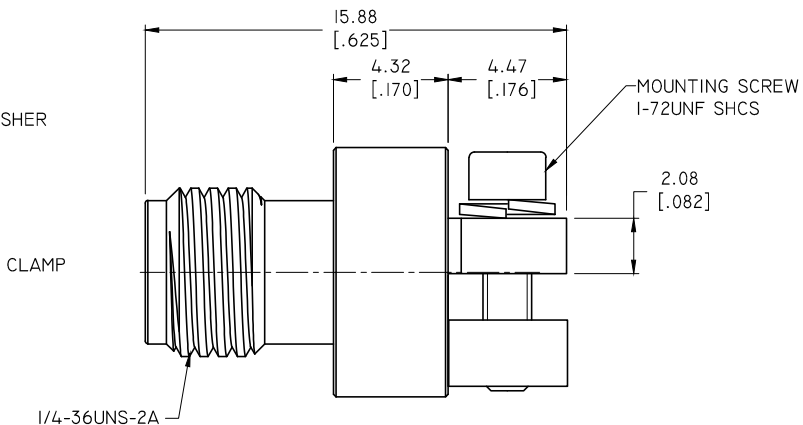
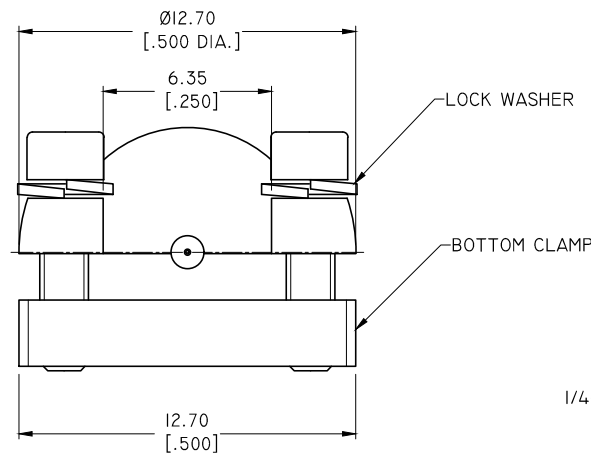
ENVIRONMENTAL DATA:

- 1 OPERATING TEMPERATURE: -65°C~+165°C
- 2 2011/65/EU (RoHS): COMPLIANT

REVISIONS			
REV.	DESCRIPTION	DATE	APPROVED
A	INITIAL RELEASE	10/09/19	J. QU

ELECTRICAL DATA:

- 1 IMPEDANCE: 50 OHMS
- 2 FREQUENCY RANGE: DC~40 GHZ



DRAWN	W. YANG	DATE	10/09/19
CHECKED	X. B. YANG	DATE	10/09/19
APPROVED	J. QU	DATE	10/09/19
UNLESS OTHERWISE SPECIFIED DIMENSIONS ARE IN MILLIMETERS. DIMENSIONS IN [] ARE IN INCHES FOR CUSTOMER REFERENCE ONLY UNLESS OTHERWISE SPECIFIED TOLERANCE ARE:		THESE DRAWINGS AND SPECIFICATIONS ARE THE PROPERTY OF ANOISON ELECTRONICS LTD AND SHOULD NOT BE USED WITHOUT WRITTEN PERMISSION COPYRIGHT © 2019 ANOISON ELECTRONICS LTD	
.XX	+0.08 [.003"]		
.X	+0.20 [.008"]		
X	+0.50 [.019"]		
.X°	±1°		
X°	±2°		



TITLE				
2.92 FEMALE EDGE LAUNCH, .500 PROFILE				
VIEW		PART NO.		
		ANO 2912-4134		
SIZE	SCALE	SHEET	REV.	
A3	5:1	1/1	A	

4

3

2

1