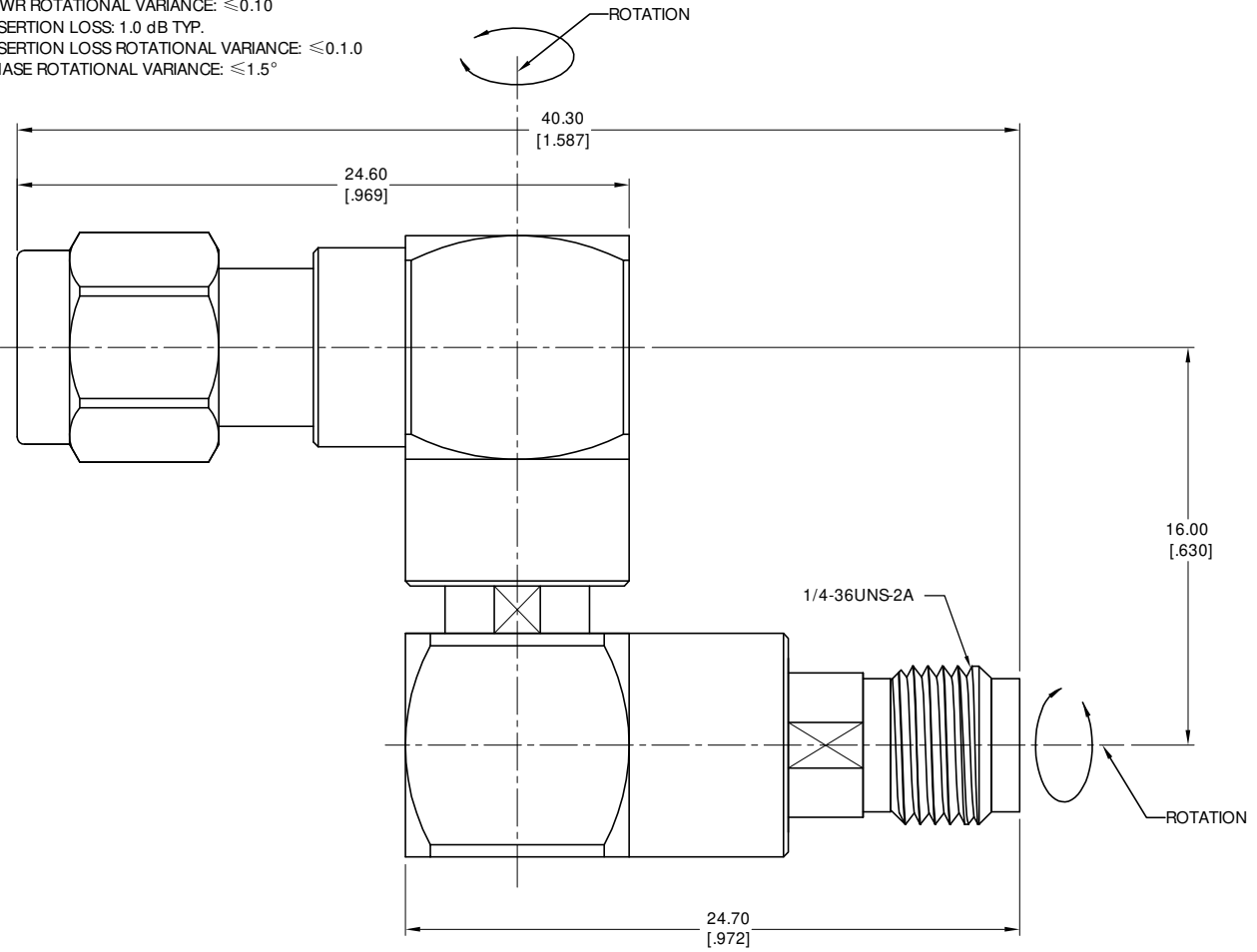
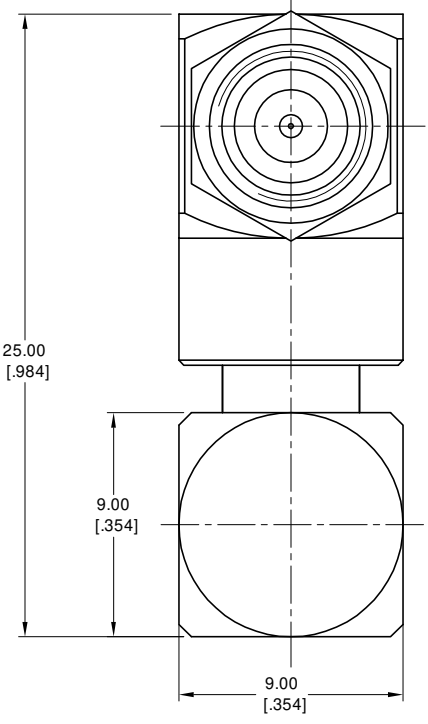


REVISIONS			
REV.	DESCRIPTION	DATE	APPROVED
A	INITIAL RELEASE	10/14/24	J Q

MATERIAL & FINISH:
 1 BODY: BRASS, GOLD PLATED
 2 CENTER CONTACT: BERYLLIUM COPPER ALLOY, GOLD PLATED
 3 INSULATOR: PEI
 4 COUPLING NUT: STAINLESS STEEL, PASSIVATED

ENVIRONMENTAL DATA:
 1 TEMPERATURE RANGE: -55 °C ~ +125 °C
 2 2011/65/EU (RoHS) AND 2015/863/(RoHS): COMPLIANT
 3 1999/2006/EC (REACH): COMPLIANT

ELECTRICAL DATA:
 1 IMPEDANCE: 50 Ω
 2 FREQUENCY RANGE: DC~40 GHz
 3 VSWR: 1.50 MAX.
 4 VSWR ROTATIONAL VARIANCE: ≤0.10
 5 INSERTION LOSS: 1.0 dB TYP.
 6 INSERTION LOSS ROTATIONAL VARIANCE: ≤0.1.0
 7 PHASE ROTATIONAL VARIANCE: ≤1.5°



DRAWN	P. C	DATE	10/14/24
CHECKED	W. Y	DATE	10/14/24
APPROVED	J Q	DATE	10/14/24
UNLESS OTHERWISE SPECIFIED DIMENSIONS ARE IN MILLIMETERS, DIMENSIONS IN [] ARE IN INCHES FOR CUSTOMER REFERENCE ONLY UNLESS OTHERWISE SPECIFIED TOLERANCE ARE:		THESE DRAWINGS AND SPECIFICATIONS ARE THE PROPERTY OF ANOISON ELECTRONICS LTD AND SHOULD NOT BE USED WITHOUT WRITTEN PERMISSION COPYRIGHT © 2024 ANOISON ELECTRONICS LTD	
	XX	±0.13 [0.005"]	
	X	±0.20 [0.008"]	
	x	±0.50 [0.019"]	
	X°	±1°	
	X'	±2°	

ANOISON

TITLE
 SWIVEL JOINT ADAPTER
 2.92mm MALE TO 2.92mm FEMALE OPERATING TO 40GHz

VIEW

PART NO.
 ANO 291-292-2675-S

SIZE A3	SCALE 5:1	SHEET 1/1	REV. A
-------------------	---------------------	---------------------	------------------