

MATERIAL & FINISH:

- 1 BODY: STAINLESS STEEL, PASSIVATED
- 2 CENTER CONTACT: BERYLLIUM COPPER ALLOY, GOLD PLATED
- 3 INSULATOR: PEI
- 4 RADIATOR: ALUMINIUM, BLACK

ENVIRONMENTAL DATA:

- 1 TEMPERATURE RANGE: -55°C~+125°C
- 2 2011/65/EU(RoHS) AND 2015/863/(RoHS): COMPLIANT
- 3 REACH SVHC247: COMPLIANT

ELECTRICAL DATA:

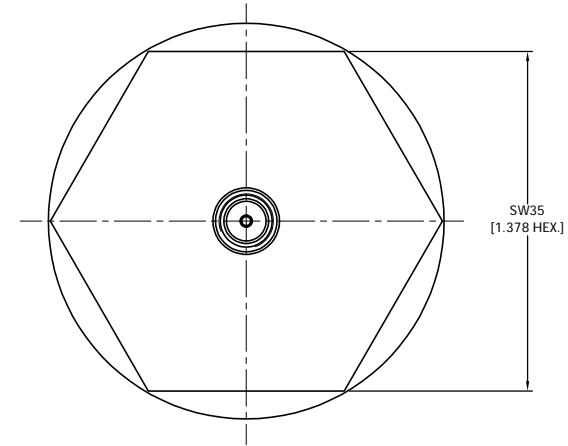
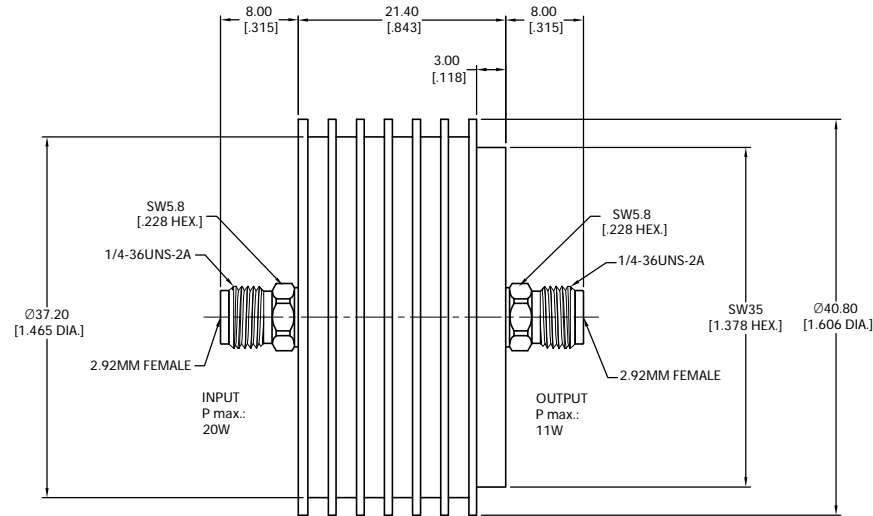
- 1 IMPEDANCE: 50 Ω
- 2 FREQUENCY RANGE: DC-40 GHz
- 3 VSWR: 1.26 MAX.
- 4 AVERAGE POWER: INPUT 20 WATTS OR OUTPUT 11 WATTS AVERAGE TO 25°C AMBIENT TEMPERATURE, DERATED LINEARLY TO 1W @ 100°C
- 5 PEAK POWER: MAXIMUM POWER 200 W (5μS PULSE WIDTH WITH THE MAXIMUM 3% DUTY CYCLE)
- 6 ATTENUATOR ACCURACY: SEE TABLE

MECHANICAL DATA:

- 1 NET WEIGHT: 68g

REVISIONS

REV.	DESCRIPTION	DATE	APPROVED
A	INITIAL RELEASE	09/01/25	J. Q



TABLE

PART NO.	ATTENUATION VALUES & ACCURACY	
	3-10 dB	20-40 dB
ANO 29-2004-XX	+1.5 -1.2 dB	±0.8 dB
NOTE: XX REFER TO ATTENUATION VALUE IN dB		

DRAWN X. Y	DATE 09/01/25					
CHECKED W. Y	DATE 09/01/25					
APPROVED J. Q	DATE 09/01/25					
UNLESS OTHERWISE SPECIFIED DIMENSIONS ARE IN MILLIMETERS. DIMENSIONS IN [] ARE IN INCHES FOR CUSTOMER REFERENCE ONLY UNLESS OTHERWISE SPECIFIED TOLERANCE ARE: .XX ±0.13 [0.005"] .X ±0.20 [0.008"] X ±0.50 [0.019"] X° ±1° X° ±2°		THESE DRAWINGS AND SPECIFICATIONS ARE THE PROPERTY OF ANOISON ELECTRONICS LTD AND SHOULD NOT BE USED WITHOUT WRITTEN PERMISSION COPYRIGHT © 2025 ANOISON ELECTRONICS LTD	TITLE ATTENUATOR, 2.92MM FEMALE TO 2.92MM FEMALE 20 WATTS, DC-40 GHz, UNI-DIRECTIONAL			
VIEW 		PART NO. ANO 29-2004-XX	SIZE A3	SCALE 2.5:1	SHEET 1/1	REV. A