

MATERIAL & FINISH:

- 1 BODY: STAINLESS STEEL, PASSIVATED
- 2 CENTER CONTACT: BERYLLIUM COPPER ALLOY, GOLD PLATED
- 3 INSULATOR: PTFE
- 4 LOCK WASHER: PHOSPHOR BRONZE, ALBALOY PLATED
- 5 FASTENING NUT: BRASS, ALBALOY PLATED
- 6 O-RING: SILICONE RUBBER

ELECTRICAL DATA:

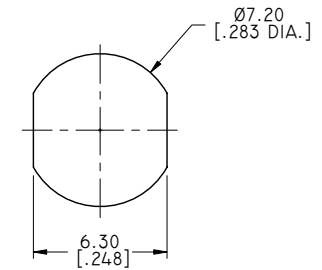
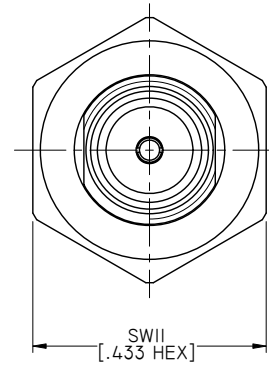
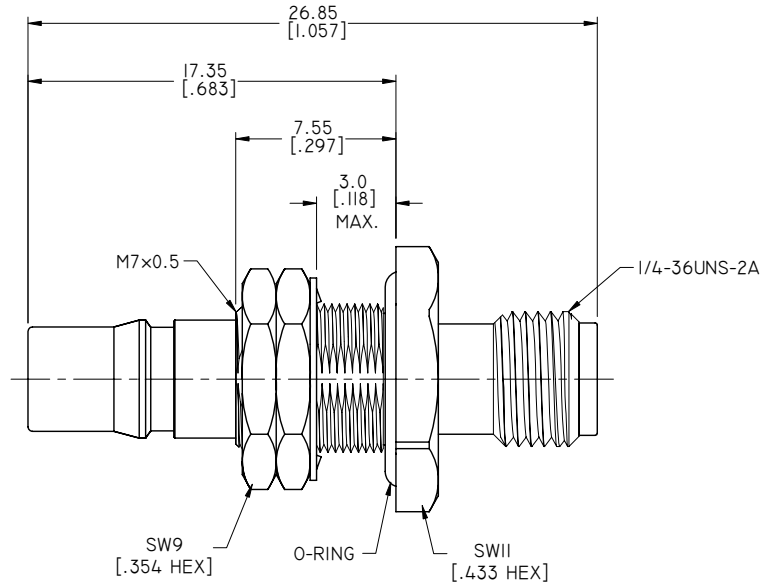
- 1 IMPEDANCE: 50 Ω
- 2 FREQUENCY RANGE: DC-18 GHZ
- 3 VSWR: 1.05 MAX. AT DC-2.5 GHZ
1.12 MAX. AT 2.5-6 GHZ
1.29 MAX. AT 6-18 GHZ

ENVIRONMENTAL DATA:

- 1 TEMPERATURE RANGE: -55°C~+125°C
- 2 2011/65/EU (RoHS): COMPLIANT

REVISIONS

REV.	DESCRIPTION	DATE	APPROVED
A	INITIAL RELEASE	02/09/17	J. QU
B	1. 26.85 [1.057] WAS 25.85 [1.018] 2. 17.35 [.683] WAS 16.35 [.644] 3. 7.55 [.297] WAS 6.55 [.258] 4. 3.0 [.118] WAS 2.0 [.079] 5. RECOMMENDED MOUNTING HOLE CHANGED	10/09/17	J. QU



RECOMMENDED MOUNTING HOLE

DRAWN	X. B. YANG	DATE	10/09/17
CHECKED	W. YANG	DATE	10/09/17
APPROVED	J. QU	DATE	10/09/17
UNLESS OTHERWISE SPECIFIED DIMENSIONS ARE IN MILLIMETERS. DIMENSIONS IN [] ARE IN INCHES FOR CUSTOMER REFERENCE ONLY UNLESS OTHERWISE SPECIFIED TOLERANCE ARE:		THESE DRAWINGS AND SPECIFICATIONS ARE THE PROPERTY OF ANOISON ELECTRONICS LTD AND SHOULD NOT BE USED WITHOUT WRITTEN PERMISSION COPYRIGHT © 2017 ANOISON ELECTRONICS LTD	
.XXX	±0.15 [.006"]		
.XX	±0.25 [.01"]		
.X	±0.50 [.019"]		
.X°	±1°		
X°	±2°		



TITLE
ADAPTER
QMA WATERPROOF BULKHEAD FEMALE TO SMA FEMALE

VIEW	PART NO. ANO 262-212-1162		
	SIZE A3	SCALE 4:1	SHEET 1/1
	REV. B		