

4

3

2

1

MATERIAL & FINISH:

- 1 BODY: STAINLESS STEEL, PASSIVATED
- 2 RETAINING RING: BERYLLIUM COPPER, UNPLATED
- 3 COUPLING NUT: STAINLESS STEEL, PASSIVATED

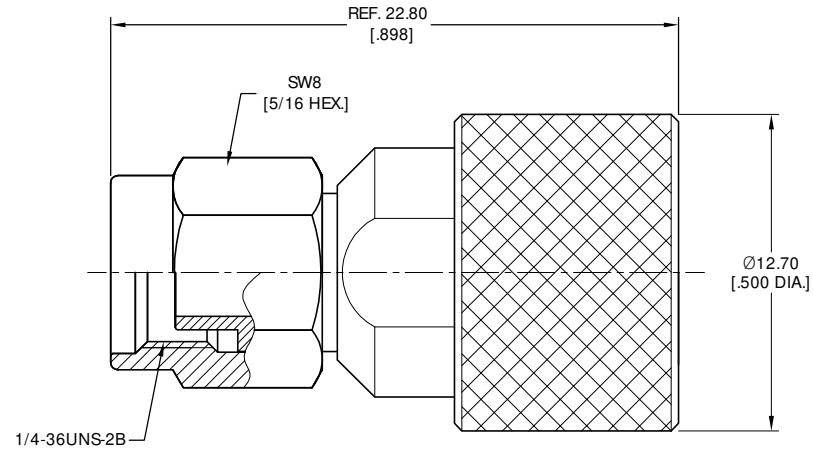
ELECTRICAL DATA:

- 1 IMPEDANCE: 50 Ω
- 2 FREQUENCY RANGE: DC~6 GHz
- 3 PHASE DEVIATION $\leq \pm 1^\circ$

ENVIRONMENTAL DATA:

- 1 TEMPERATURE RANGE: -55 °C ~ +125 °C
- 2 2011/65/EU(RoHS) AND 2015/863/(RoHS): COMPLIANT
- 3 1999/2006/EC(REACH): COMPLIANT

| REVISIONS | | | |
|-----------|-----------------|----------|----------|
| REV. | DESCRIPTION | DATE | APPROVED |
| A | INITIAL RELEASE | 05/16/25 | J Q |
| | | | |



| | | | |
|-----------------------------------------------------------------------------------------------------------------------------------------------------------------|----------------|--------------------------------------------------------------------------------------------------------------------------------------------------------------------------|----------|
| DRAWN | P. C | DATE | 05/16/25 |
| CHECKED | W. Y | DATE | 05/16/25 |
| APPROVED | J Q | DATE | 05/16/25 |
| UNLESS OTHERWISE SPECIFIED DIMENSIONS ARE IN MILLIMETERS. DIMENSIONS IN [] ARE IN INCHES FOR CUSTOMER REFERENCE ONLY UNLESS OTHERWISE SPECIFIED TOLERANCE ARE: | | THESE DRAWINGS AND SPECIFICATIONS ARE THE PROPERTY OF ANOISON ELECTRONICS LTD AND SHOULD NOT BE USED WITHOUT WRITTEN PERMISSION COPYRIGHT © 2025 ANOISON ELECTRONICS LTD | |
| .XX | ±0.13 [0.005"] | | |
| .X | ±0.20 [0.008"] | | |
| X | ±0.50 [0.019"] | | |
| .X° | ±1° | | |
| X° | ±2° | | |



| | | | |
|--------------------------|-------|---------------|------|
| TITLE | | | |
| OPEN CIRCUIT, 3.5MM MALE | | | |
| VIEW | | PART NO. | |
| | | ANO 2511-6056 | |
| SIZE | SCALE | SHEET | REV. |
| A3 | 5:1 | 1/1 | A |

4

3

2

1