

MATERIAL & FINISH:

- 1 BODY: STAINLESS STEEL, PASSIVATED
- 2 CENTER CONTACT: BERYLLIUM COPPER ALLOY, GOLD PLATED
- 3 INSULATOR: PTFE

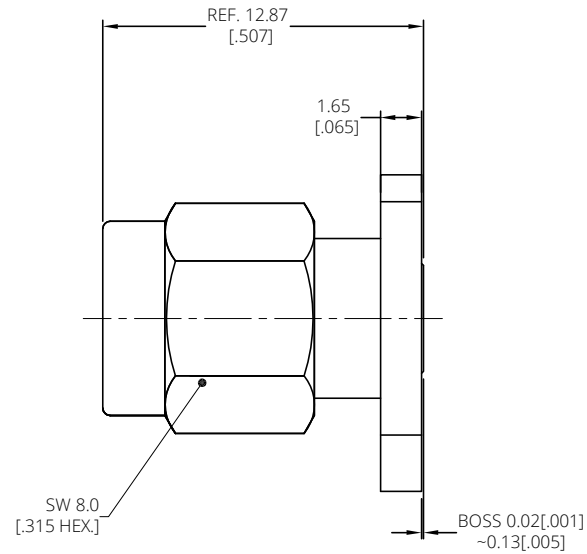
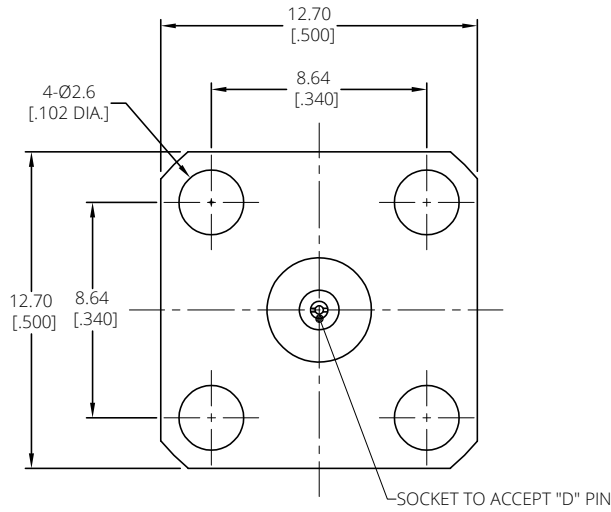
ENVIRONMENTAL DATA:

- 1 TEMPERATURE RANGE: -55°C~+125°C
- 2 2011/65/EU(RoHS) AND 2015/863/(RoHS): COMPLIANT
- 3 1907/2006/EC(REACH): COMPLIANT

ELECTRICAL DATA:

- 1 IMPEDANCE: 50 Ω
- 2 FREQUENCY RANGE: DC~33 GHz
- 3 VSWR: 1.10 MAX @ DC~27GHz
1.15 MAX @ 27~33GHz

| REVISIONS | | | |
|-----------|-----------------|----------|----------|
| REV. | DESCRIPTION | DATE | APPROVED |
| A | INITIAL RELEASE | 11/08/24 | J. Q |
| | | | |



| PART NO. | D | MAX. PIN DEPTH |
|-----------------|-------------------|----------------|
| ANO 2511-3054-1 | Ø0.23 [.009 DIA.] | 1.65 [.065] |
| ANO 2511-3054-2 | Ø0.30 [.012 DIA.] | 1.52 [.060] |
| ANO 2511-3054-3 | Ø0.38 [.015 DIA.] | 1.65 [.065] |
| ANO 2511-3054-4 | Ø0.46 [.018 DIA.] | 1.65 [.065] |
| ANO 2511-3054-5 | Ø0.51 [.020 DIA.] | 1.65 [.065] |

| | | | |
|---|---------------|--|----------|
| DRAWN | W. Y | DATE | 11/08/24 |
| CHECKED | X. Y | DATE | 11/08/24 |
| APPROVED | J. Q | DATE | 11/08/24 |
| UNLESS OTHERWISE SPECIFIED DIMENSIONS ARE IN MILLIMETERS, DIMENSIONS IN [] ARE IN INCHES FOR CUSTOMER REFERENCE ONLY UNLESS OTHERWISE SPECIFIED TOLERANCE ARE: | | THESE DRAWINGS AND SPECIFICATIONS ARE THE PROPERTY OF ANOISON ELECTRONICS LTD AND SHOULD NOT BE USED WITHOUT WRITTEN PERMISSION COPYRIGHT © 2024 ANOISON ELECTRONICS LTD | |
| XX | ±0.13 [.005"] | | |
| X | ±0.20 [.008"] | | |
| X | ±0.50 [.019"] | | |
| X° | ±1° | | |
| X° | ±2° | | |



TITLE
3.5MM STRAIGHT MALE, 4 HOLES FLANGE FIELD REPLACEABLE

| | | | |
|------|---------------------------|--------------|--------------|
| VIEW | PART NO. ANO 2511-3054 | | |
| | SIZE A3 | SCALE 4:1 | SHEET 1/1 |
| | | REV. A | |