

MATERIAL & FINISH:

- 1 BODY: STAINLESS STEEL, GOLD PLATED
- 2 CENTER CONTACT: BERYLLIUM COPPER ALLOY, GOLD PLATED
- 3 INSULATOR: PEI

MECHANICAL DATA:

- 1 CENTER CONTACT: 1.4 N MAX. INSERTION FORCE
0.44 N MIN. DISLODGING FORCE
- CENTRICITY: $\text{Ⓞ}0.05 \text{ [.0002]} \text{ A}$

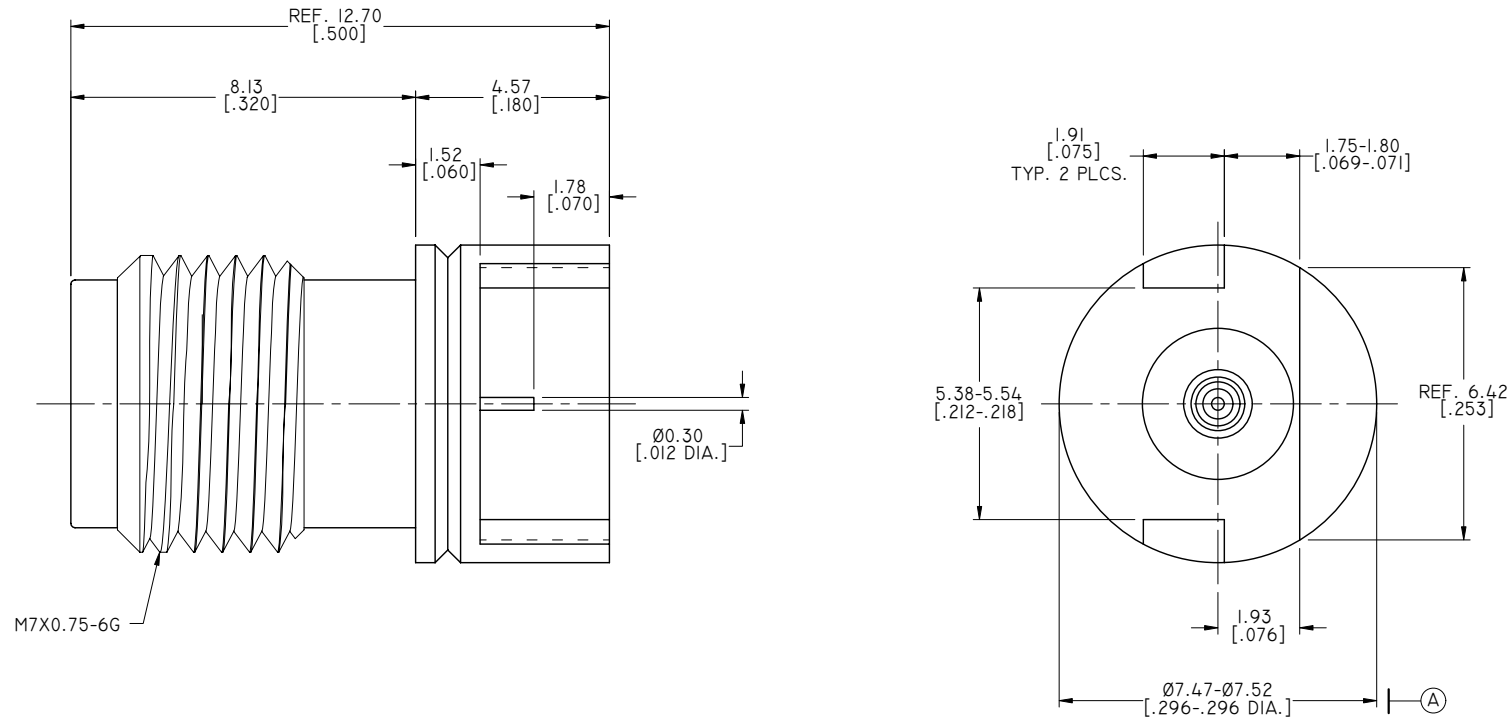
ELECTRICAL DATA:

- 1 IMPEDANCE: 50 Ω
- 2 FREQUENCY RANGE: DC-50 GHZ
- 3 VSWR: 1.15 MAX. AT DC~26.5 GHZ
1.20 MAX. AT 26.5~40 GHZ
1.31 MAX. AT 40~50 GHZ
- 4 INSERTION LOSS: 0.05 X $\sqrt{F(\text{GHZ})}$ DB MAX.

ENVIRONMENTAL DATA:

- 1 TEMPERATURE RANGE: -55°C~+125°C
- 2 2011/65/EU (RoHS): COMPLIANT

REVISIONS			
REV.	DESCRIPTION	DATE	APPROVED
A	INITIAL RELEASE	04/16/18	J. QU
B	1. MECHANICAL DATA ADDED 2. VSWR & INSERTION LOSS ADDED	08/10/18	J. QU



DRAWN	X. B. YANG	DATE	08/10/18
CHECKED	W. YANG	DATE	08/10/18
APPROVED	J. QU	DATE	08/10/18
UNLESS OTHERWISE SPECIFIED DIMENSIONS ARE IN MILLIMETERS. DIMENSIONS IN [] ARE IN INCHES FOR CUSTOMER REFERENCE ONLY UNLESS OTHERWISE SPECIFIED TOLERANCE ARE:		THESE DRAWINGS AND SPECIFICATIONS ARE THE PROPERTY OF ANOISON ELECTRONICS LTD AND SHOULD NOT BE USED WITHOUT WRITTEN PERMISSION COPYRIGHT © 2018 ANOISON ELECTRONICS LTD	
.XX	±0.13 [.005"]		
.X	±0.20 [.008"]		
X	±0.50 [.019"]		
.X°	±1°		
X°	±2°		



TITLE			
2.4MM FEMALE PCB MOUNT, Ø.012 PIN			
VIEW		PART NO.	
		ANO 2212-4032	
SIZE	SCALE	SHEET	REV.
A3	8:1	1/1	B