

MATERIAL & FINISH:

- 1 BODY: STAINLESS STEEL, PASSIVATEDL
- 2 CENTER CONTACT: BERYLLIUM COPPER ALLOY, GOLD PLATED
- 3 INSULATOR: PEI

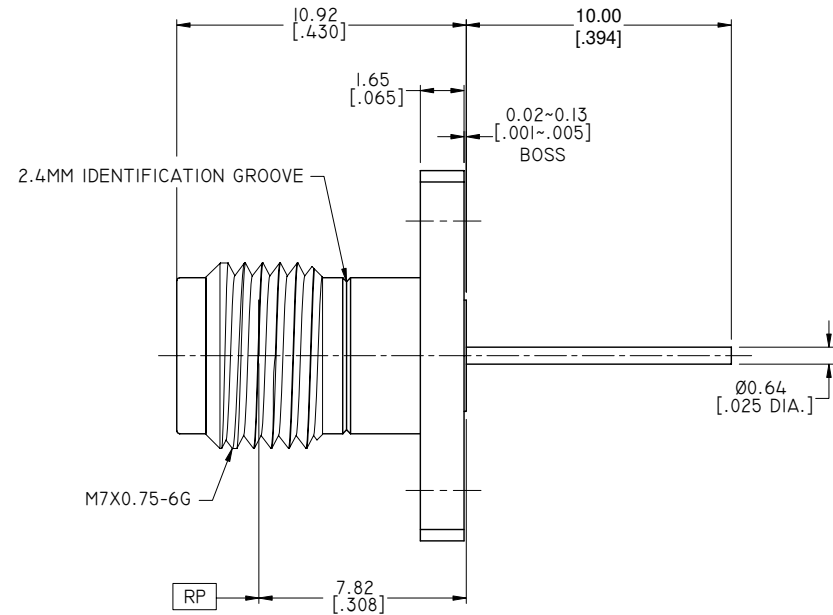
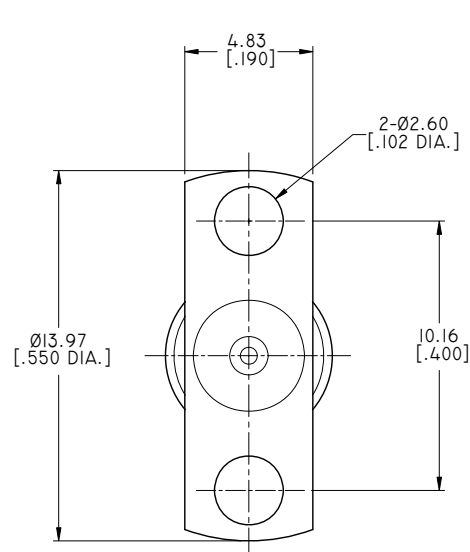
ELECTRICAL DATA:

- 1 IMPEDANCE: 50 Ω
- 2 FREQUENCY RANGE: DC~50 GHz
- 3 VSWR: 1.15 MAX.

ENVIRONMENTAL DATA:

- 1 TEMPERATURE RANGE: -55°C~+125°C
- 2 2011/65/EU(RoHS) AND 2015/863/(RoHS): COMPLIANT
- 3 1907/2006/EC(REACH) AND 1999/45/EC(REACH): COMPLIANT

REVISIONS			
REV.	DESCRIPTION	DATE	APPROVED
A	INITIAL RELEASE	04/05/17	J. QU
B	2.4MM IDENTIFICATION GROOVE ADDED	11/01/19	J. QU



DRAWN	X. B. YANG	DATE	11/01/19
CHECKED	W. YANG	DATE	11/01/19
APPROVED	J. QU	DATE	11/01/19
UNLESS OTHERWISE SPECIFIED DIMENSIONS ARE IN MILLIMETERS. DIMENSIONS IN [] ARE IN INCHES FOR CUSTOMER REFERENCE ONLY UNLESS OTHERWISE SPECIFIED TOLERANCE ARE:		THESE DRAWINGS AND SPECIFICATIONS ARE THE PROPERTY OF ANOISON ELECTRONICS LTD AND SHOULD NOT BE USED WITHOUT WRITTEN PERMISSION COPYRIGHT © 2019 ANOISON ELECTRONICS LTD	
.XX	±0.13 [.005"]		
.X	±0.20 [.008"]		
X	±0.50 [.019"]		
.X°	±1°		
X°	±2°		



TITLE			
2.4MM FEMALE, 2 HOLE FLANGE MOUNT POST CONTACT			
VIEW		PART NO.	
		ANO 2212-3025	
SIZE	SCALE	SHEET	REV.
A3	5:1	1/1	B