

4

3

2

1

## MATERIAL &amp; FINISH:

- 1 BODY: STAINLESS STEEL, PASSIVATED
- 2 CENTER CONTACT: BERYLLIUM COPPER ALLOY, GOLD PLATING
- 3 INSULATOR: PEI
- 4 COUPLING NUT: STAINLESS STEEL, PASSIVATED
- 5 RETAINING RING: BERYLLIUM COPPER ALLOY, NICKEL PLATED

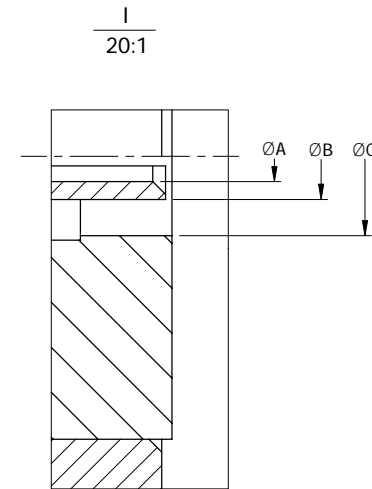
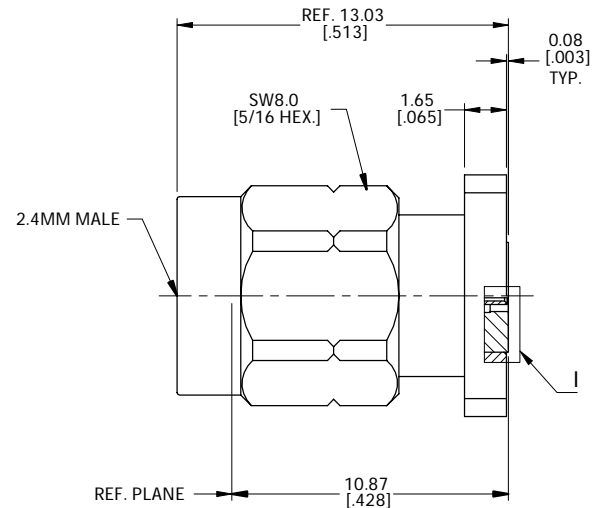
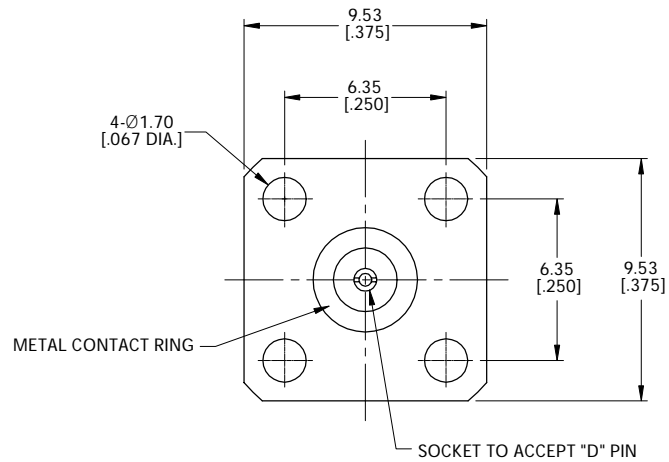
## ELECTRICAL DATA:

- 1 IMPEDANCE: 50  $\Omega$
- 2 FREQUENCY RANGE: DC-50 GHz
- 3 VSWR: 1.10 MAX. AT DC-18 GHz  
1.15 MAX. AT 18-40 GHz  
1.18 MAX. AT 40-50 GHz

## ENVIRONMENTAL DATA:

- 1 TEMPERATURE RANGE: -65°C ~ +165°C
- 2 2011/65/EU(RoHS) AND 2015/863/(RoHS): COMPLIANT
- 3 1907/2006/EC(REACH): COMPLIANT

REVISIONS			
REV.	DESCRIPTION	DATE	APPROVED
A	INITIAL RELEASE	10/07/16	J. Q
B	DIMENSION ADDED	01/10/25	J. Q



PART NO.	D	A	B	C	PIN DEPTH MAX.
ANO 2211-3018-1	$\varnothing$ 0.23 [0.009 DIA.]	$\varnothing$ 0.25 [0.010 DIA.]	$\varnothing$ 0.51 [0.020 DIA.]	$\varnothing$ 1.10 [0.043 DIA.]	1.65 [0.065]
ANO 2211-3018-2	$\varnothing$ 0.30 [0.012 DIA.]	$\varnothing$ 0.32 [0.0126 DIA.]	$\varnothing$ 0.58 [0.023 DIA.]	$\varnothing$ 1.25 [0.049 DIA.]	2.00 [0.079]
ANO 2211-3018-3	$\varnothing$ 0.51 [0.020 DIA.]	$\varnothing$ 0.53 [0.021 DIA.]	$\varnothing$ 0.75 [0.029 DIA.]	$\varnothing$ 1.64 [0.065 DIA.]	2.00 [0.079]

DRAWN	x.y	DATE	01/10/25
CHECKED	W. Y	DATE	01/10/25
APPROVED	J. Q	DATE	01/10/25

UNLESS OTHERWISE SPECIFIED DIMENSIONS ARE IN MILLIMETERS. DIMENSIONS IN [ ] ARE IN INCHES FOR CUSTOMER REFERENCE ONLY UNLESS OTHERWISE SPECIFIED TOLERANCE ARE:

xx	$\pm$ 0.13 [005"]
x	$\pm$ 0.20 [008"]
X	$\pm$ 0.50 [019"]
x°	$\pm$ 1°
x°	$\pm$ 2°

THESE DRAWINGS AND SPECIFICATIONS ARE THE PROPERTY OF ANOISON ELECTRONICS LTD AND SHOULD NOT BE USED WITHOUT WRITTEN PERMISSION COPYRIGHT © 2025 ANOISON ELECTRONICS LTD

TITLE  
2.4MM STRAIGHT MALE 4 HOLE .375" SQ. FLANGE  
FIELD REPLACEABLE

VIEW	PART NO. ANO 2211-3018		
SIZE A3	SCALE 5:1	SHEET 1/1	REV. B