

4

3

2

1

REVISIONS			
REV.	DESCRIPTION	DATE	APPROVED
A	INITIAL RELEASE	02/12/20	J. QU

1.0 MATERIAL & FINISH:

- 1.1 BODY: STAINLESS STEEL, PASSIVATED
- 1.2 CENTER CONTACT: BERYLLIUM COPPER ALLOY, GOLD PLATED
- 1.3 SOLDER FERRULE: BRASS, GOLD PLATED
- 1.4 COUPLING NUT: STAINLESS STEEL, PASSIVATED
- 1.5 INSULATOR: PEI

2.0 ELECTRICAL DATA:

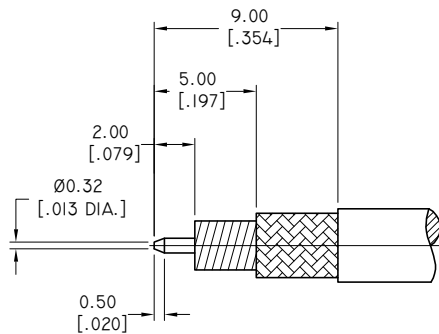
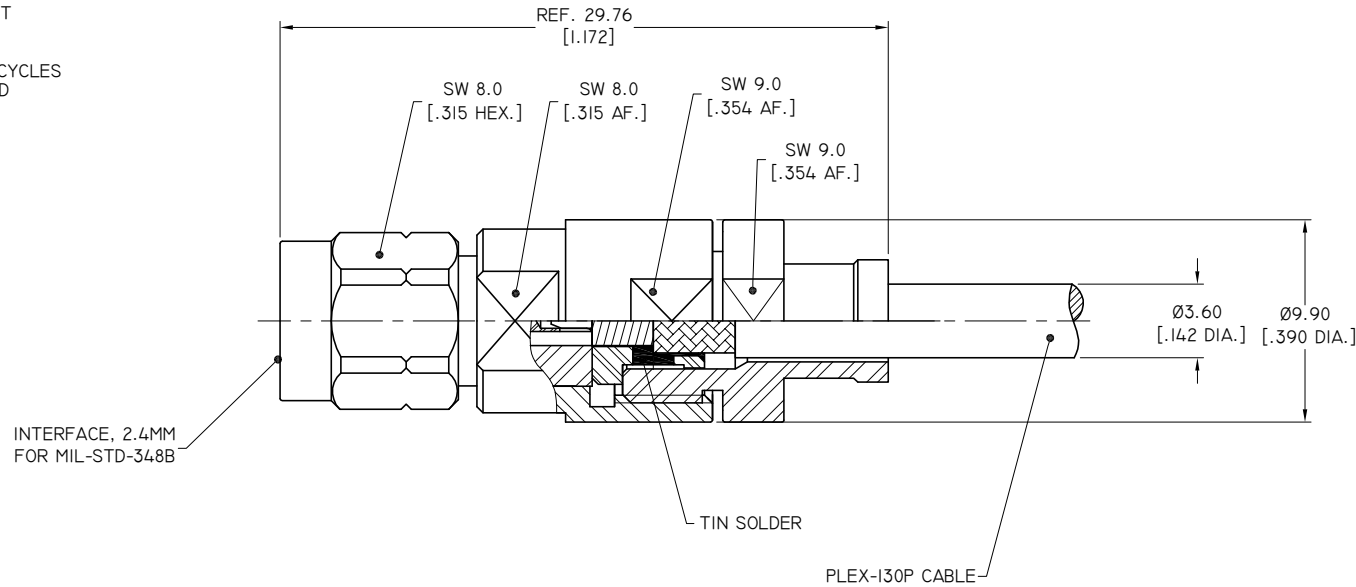
- 2.1 IMPEDANCE: 50 Ω
- 2.2 FREQUENCY RANGE: DC-50GHZ
- 2.3 VSWR: 1.20 TYP.

3.0 ENVIRONMENTAL DATA:

- 3.1 TEMPERATURE RANGE: -55°C~+135°C
- 3.2 2011/65/EU(RoHS) AND 2015/863/(RoHS): COMPLIANT
- 3.3 1999/45/EC(REACH): COMPLIANT

4.0 MECHANICAL DATA:

- 4.1 MECHANICAL DURABILITY: 500 CYCLES
- 4.2 CENTER CONTACT: CAPTIVATED
- 4.3 OUTER CONTACT: SOLDERED

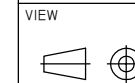


CABLE STRIPPING DIMENSIONS

DRAWN	P. CHEN	DATE	02/12/20
CHECKED	L. YANG	DATE	02/12/20
APPROVED	J. QU	DATE	02/12/20
UNLESS OTHERWISE SPECIFIED DIMENSIONS ARE IN MILLIMETERS, DIMENSIONS IN [] ARE IN INCHES FOR CUSTOMER REFERENCE ONLY UNLESS OTHERWISE SPECIFIED TOLERANCE ARE:		THESE DRAWINGS AND SPECIFICATIONS ARE THE PROPERTY OF ANOISON ELECTRONICS LTD AND SHOULD NOT BE USED WITHOUT WRITTEN PERMISSION COPYRIGHT © 2020 ANOISON ELECTRONICS LTD	
.XX	±0.13 [.005"]		
.X	±0.20 [.008"]		
X	±0.50 [.019"]		
X°	±1°		
X°	±2°		



TITLE
2.4MM STRAIGHT MALE SOLDER FOR PLEX-I30P CABLE CAPTIVATED CONTACT



PART NO. ANO 2211-2028			
SIZE A3	SCALE 4:1	SHEET 1/1	REV. A

4

3

2

1