

4

3

2

1

MATERIAL & FINISH:

- 1 BODY: BRASS, ALBALOY PLATED
- 2 CENTER CONTACT: BRASS, GOLD PLATED
- 3 INSULATOR: PTFE

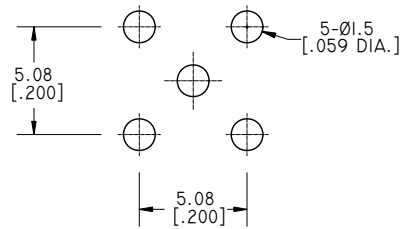
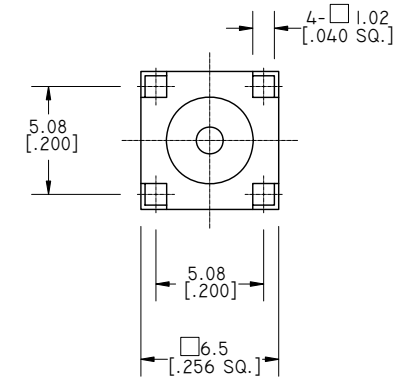
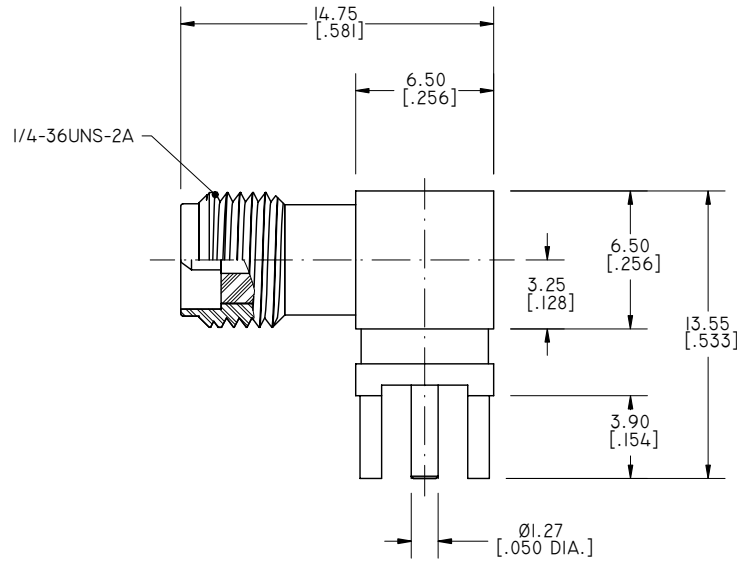
ELECTRICAL DATA:

- 1 IMPEDANCE: 50 Ω
- 2 FREQUENCY RANGE: DC-6 GHZ

ENVIRONMENTAL DATA:

- 1 TEMPERATURE RANGE: -55°C ~ +165°C
- 2 2011/65/EU (RoHS): COMPLIANT

REVISIONS			
REV.	DESCRIPTION	DATE	APPROVED
A	INITIAL RELEASE	05/18/15	J. QU
B	ADDED FINISH	07/22/15	J. QU
C	CHANGED FINISH	12/08/15	J. QU
D	CHANGED DIMENSIONS(.276 SQ. CHANGED TO .256 SQ.)	12/14/15	J. QU



RECOMMENDED MOUNTING HOLE

DRAWN	P. CHEN	DATE	12/14/15
CHECKED	L. YANG	DATE	12/14/15
APPROVED	J. QU	DATE	12/14/15
UNLESS OTHERWISE SPECIFIED DIMENSIONS ARE IN MILLIMETERS. DIMENSIONS IN [ ] ARE IN INCHES FOR CUSTOMER REFERENCE ONLY UNLESS OTHERWISE SPECIFIED TOLERANCE ARE:		THESE DRAWINGS AND SPECIFICATIONS ARE THE PROPERTY OF ANOISON ELECTRONICS LTD AND SHOULD NOT BE USED WITHOUT WRITTEN PERMISSION COPYRIGHT © 2015 ANOISON ELECTRONICS LTD	
.XX	±0.13 [.005"]		
.X	±0.20 [.008"]		
X	±0.50 [.019"]		
.X°	±1°		
X°	±2°		



TITLE			
RP SMA RIGHT ANGLE FEMALE PCB RECEPTACLE			
VIEW		PART NO.	
		ANO 2124-4342	
SIZE	SCALE	SHEET	REV.
A3	4:1	I/1	D

4

3

2

1