

4

3

2

1

MATERIAL & FINISH:

- 1 BODY: STAINLESS STEEL, PASSIVATED
- 2 CENTER CONTACT: BERYLLIUM COPPER, GOLD PLATED
- 3 INSULATOR: PTFE

ELECTRICAL DATA:

- 1 IMPEDANCE: 50 Ω
- 2 FREQUENCY RANGE: DC-18 GHz
- 3 VSWR: 1.07 + .015 X F(GHz)
- 4 INSERTION LOSS: .08 √F(GHz)
- 5 DIELECTRIC WITHSTANDING VOLTAGE: 1000 VRMS MAX. @ SEA LEVEL

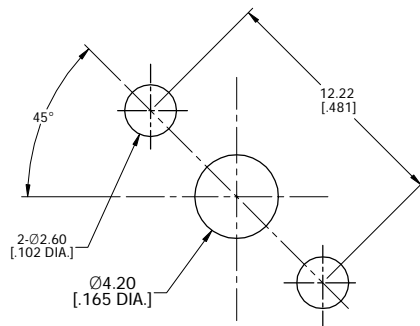
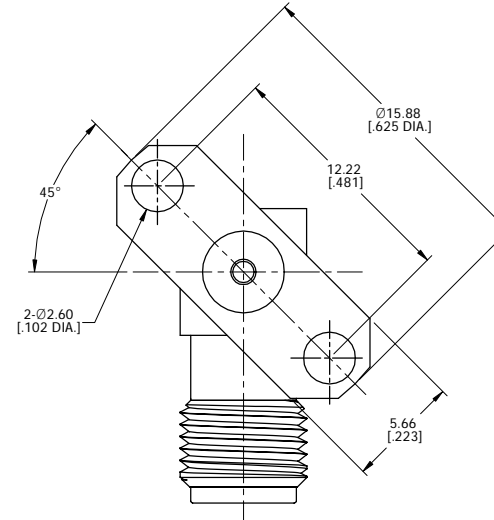
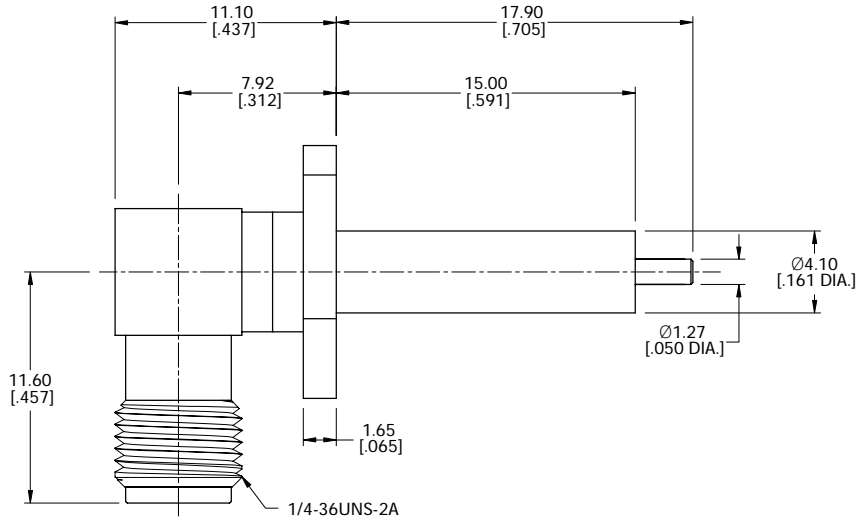
REVISIONS			
REV.	DESCRIPTION	DATE	APPROVED
A	INITIAL RELEASE	03/28/24	J. Q

ENVIRONMENTAL DATA:

- 1 TEMPERATURE RANGE: -55°C ~ +125°C
- 2 2011/65/EU(RoHS) AND 2015/863/(RoHS): COMPLIANT
- 3 1907/2006/EC(REACH): COMPLIANT

MECHANICAL DATA:

- 1 RECOMMENDED MAGING TORQUE: 7-10 IN.LBS



RECOMMENDED MOUNTING HOLE

DRAWN	X. Y	DATE	03/28/24
CHECKED	W. Y	DATE	03/28/24
APPROVED	J. Q	DATE	03/28/24
UNLESS OTHERWISE SPECIFIED DIMENSIONS ARE IN MILLIMETERS, DIMENSIONS IN [ ] ARE IN INCHES FOR CUSTOMER REFERENCE ONLY UNLESS OTHERWISE SPECIFIED TOLERANCE ARE:		THESE DRAWINGS AND SPECIFICATIONS ARE THE PROPERTY OF ANOISON ELECTRONICS LTD AND SHOULD NOT BE USED WITHOUT WRITTEN PERMISSION COPYRIGHT © 2024 ANOISON ELECTRONICS LTD	
XX	±0.13 [005"]		
X	±0.20 [008"]		
X	±0.50 [019"]		
X°	±1°		
X°	±2°		



TITLE			
SMA RIGHT ANGLE FEMALE, 2-HOLE FLANGE MOUNT RECEPTACLE STRAIGHT TERMINAL			
VIEW		PART NO.	
		ANO 2122-3689	
SIZE	SCALE	SHEET	REV.
A3	5:1	1/1	A

4

3

2

1