

REVISIONS			
REV.	DESCRIPTION	DATE	APPROVED
A	INITIAL RELEASE	03/18/26	J. Q

**1.0 MATERIAL & FINISH**

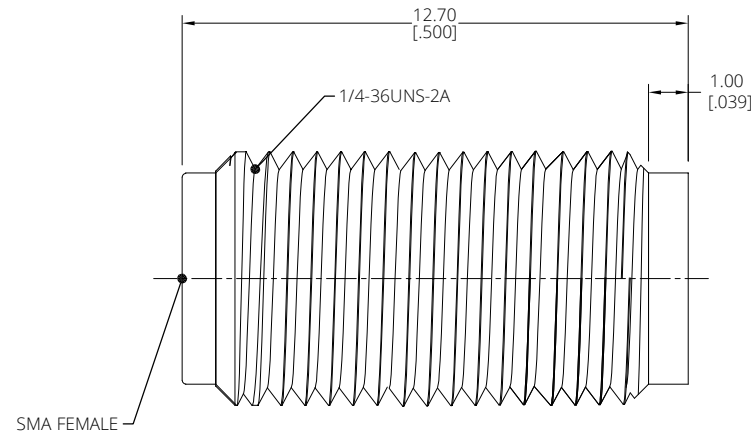
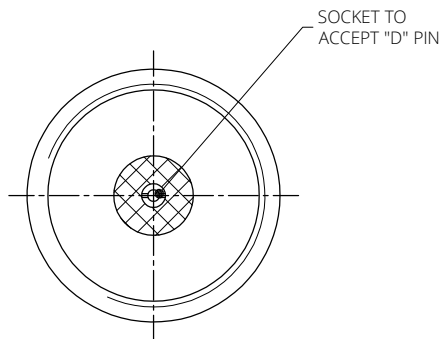
- 1.1 BODY: STAINLESS STEEL, PASSIVATED
- 1.2 CENTER CONTACT: BERYLLIUM COPPER ALLOY, GOLD PLATED
- 1.3 INSULATOR: PTFE & PEI

**2.0 ENVIRONMENTAL DATA:**

- 2.1 TEMPERATURE RANGE: -65°C~+165°C
- 2.2 2011/65/EU (RoHS): COMPLIANT
- 2.3 1999/45/EC(REACH): COMPLIANT

**3.0 ELECTRICAL SPECIFICATIONS:**

- 3.1 IMPEDANCE: 50 Ω
- 3.2 FREQUENCY RANGE: DC~27GHz
- 3.3 VSWR: 1.10 MAX. DC~18GHz  
1.15 MAX. 18~27GHz



PART NO.	D	MAX. PIN DEPTH
ANO 2112-5798-1	Ø0.23 [.009 DIA.]	1.65[.065]
ANO 2112-5798-2	Ø0.30 [.012 DIA.]	1.91 [.075]
ANO 2112-5798-3	Ø0.38 [.015 DIA.]	2.54 [.100]
ANO 2112-5798-4	Ø0.46 [.018 DIA.]	2.54 [.100]
ANO 2112-5798-5	Ø0.51 [.020 DIA.]	2.54 [.100]
ANO 2112-5798-6	Ø0.91 [.036 DIA.]	2.54 [.100]

DRAWN	W. Y	DATE	03/18/26
CHECKED	P. C	DATE	03/18/26
APPROVED	J. Q	DATE	03/18/26
UNLESS OTHERWISE SPECIFIED DIMENSIONS ARE IN MILLIMETERS, DIMENSIONS IN [ ] ARE IN INCHES FOR CUSTOMER REFERENCE ONLY UNLESS OTHERWISE SPECIFIED TOLERANCE ARE:		THESE DRAWINGS AND SPECIFICATIONS ARE THE PROPERTY OF ANOISON GROUP. THEY SHALL NOT BE REPRODUCED OR USED WITHOUT WRITTEN PERMISSION. © 2026 ANOISON GROUP. ALL RIGHTS RESERVED.	
XX	±0.13 [.005"]		
X	±0.20 [.008"]		
X	±0.50 [.019"]		
X*	±1°		
X*	±2°		



TITLE			
SMA FEMALE THREAD-IN .500 LONG			
VIEW	PART NO.		
	ANO 2112-5798		
SIZE	SCALE	SHEET	REV.
A3	5:1	1/1	A