

MATERIAL & FINISH:

- 1 BODY: STAINLESS STEEL, PASSIVATED
- 2 CENTER CONTACT: BERYLLIUM COPPER ALLOY, GOLD PLATED
- 3 INSULATOR: PTFE & PEI
- 4 EMI GASKET: CONDUCTIVE SILICONE ELASTOMERS

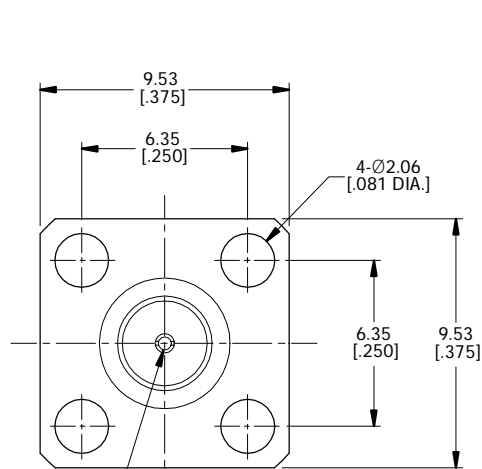
ENVIRONMENTAL DATA:

- 1 TEMPERATURE RANGE: -55°C ~ +125°C
- 2 2011/65/EU(RoHS) AND 2015/863/(RoHS): COMPLIANT
- 3 1907/2006/EC(REACH): COMPLIANT

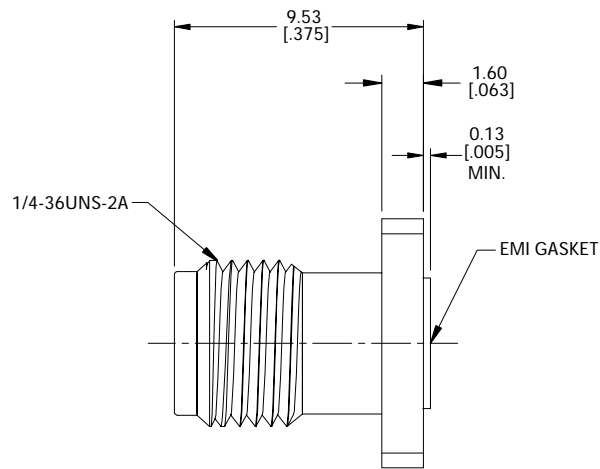
ELECTRICAL DATA:

- 1 IMPEDANCE: 50 Ω
- 2 FREQUENCY RANGE: DC~26.5 GHz
- 3 VSWR: 1.16 MAX. AT DC~18 GHz
1.21 MAX. AT 18~26.5 GHz
- 4 RF LEAKAGE: < -76.5 DB

REVISIONS			
REV.	DESCRIPTION	DATE	APPROVED
A	INITIAL RELEASE	08/02/21	J. QU



SOCKET TO ACCEPT "D" PIN



PART NO.	D	PIN DEPTH MAX.
ANO 2112-3604-4	Ø0.46 [0.018 DIA.]	2.54 [0.100]
ANO 2112-3604-5	Ø0.51 [0.020 DIA.]	2.54 [0.100]

DRAWN	X. B. YANG	DATE	08/02/21
CHECKED	W. YANG	DATE	08/02/21
APPROVED	J. QU	DATE	08/02/21

UNLESS OTHERWISE SPECIFIED DIMENSIONS ARE IN MILLIMETERS. DIMENSIONS IN [] ARE IN INCHES FOR CUSTOMER REFERENCE ONLY UNLESS OTHERWISE SPECIFIED TOLERANCE ARE:

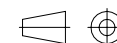
.XX	±0.13 [0.005"]
.X	±0.20 [0.008"]
X	±0.50 [0.019"]
.X°	±1°
X°	±2°

THESE DRAWINGS AND SPECIFICATIONS ARE THE PROPERTY OF ANOISON ELECTRONICS LTD AND SHOULD NOT BE USED WITHOUT WRITTEN PERMISSION COPYRIGHT © 2020 ANOISON ELECTRONICS LTD



TITLE
SMA STRAIGHT FEMALE, SOLDER ATTACHMENT
4 HOLE .375 SQ. FLANGE MOUNT
.250 INCH HOLE SPACING WITH EMI GASKET

VIEW



PART NO.
ANO 2112-3604

SIZE	SCALE	SHEET	REV.
A3	5:1	1/1	A