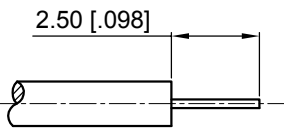
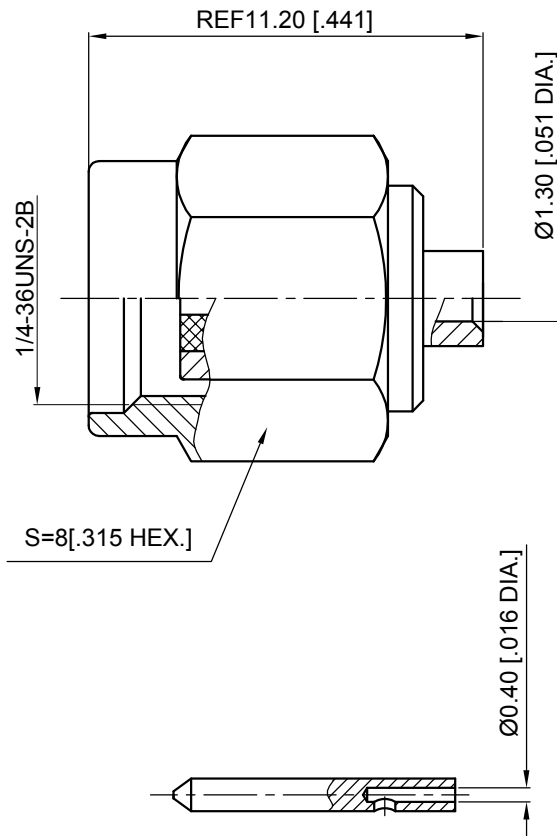



DESCRIPTION	MATERIAL	FINISH
Center Contact	Brass	Gold
Body	Brass	Gold
Coupling Nut	Brass	Gold
Retaining Ring	Beryllium Copper Alloy	Nickel
Gasket	MVQ(Silicone Rubber)	---
Insulator	PTFE	---



CABLE STRIPPING DIMENSIONS

NOTES:

1. ALL SPECIFICATIONS ARE SUBJECT TO CHANGE WITHOUT NOTICE AT ANY TIME
2. CUSTOMER OUTLINE DRAWING FOR REFERENCE ONLY

				Drawn: Z. Shen 04/03/09	Title: SMA Straight Male Solder for .047 Cable			
				Checked: L. Yang 04/03/09				
Description	Ecn.No	Date	Rev	Approved: J. Qu 04/03/09				
 <p>www.anoison.com</p>				Unless otherwise specified dimensions are in millimeters, dimensions in [] are in inches for customer reference only. Unless Otherwise Specified tolerance are: .XX ±0.13 [.005"] .X ±0.20 [.008"] X ±0.50 [.019"] .X° ±1° X° ±2°				
				View:	Part No: ANO 2111-2060		Size: A4	Scale: 5:1