

MATERIAL & FINISH:

- 1 BODY: SEE TABLE
- 2 CENTER CONTACT: BERYLLIUM COPPER ALLOY, SEE TABLE
- 3 INSULATOR: PTFE
- 4 COUPLING NUT: BRASS, SEE TABLE
- 5 RETAINING RING: BERYLLIUM COPPER ALLOY, UNPLATED
- 6 GASKET: SILICONE RUBBER

MECHANICAL DATA:

- 1 RECOMMENDED MATING TROUQUE: 0.9 NM [8 IN.LBS]

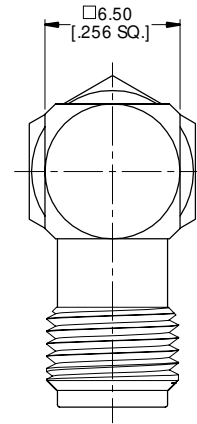
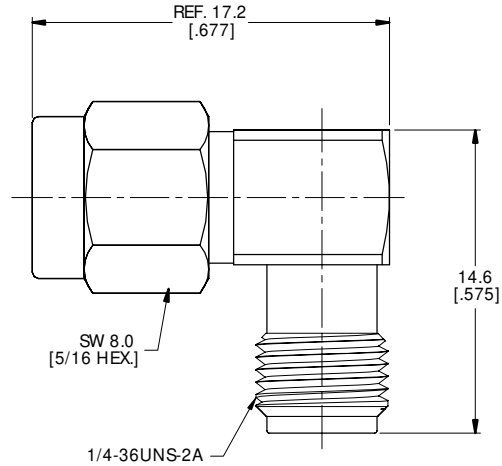
ELECTRICAL DATA:

- 1 IMPEDANCE: 50 Ω
- 2 FREQUENCY RANGE: DC~18 GHz
- 3 VSWR: 1.30 MAX.

ENVIRONMENTAL DATA:

- 1 TEMPERATURE RANGE: -55°C~+125°C
- 2 2011/65/EU(RoHS) AND 2015/863/(RoHS): COMPLIANT
- 3 1907/2006/EC(REACH): COMPLIANT

REVISIONS			
REV.	DESCRIPTION	DATE	APPROVED
A	INITIAL RELEASE	05/26/17	J QU
B	PART NO. ADDED	11/13/17	J QU
C	FREQUENCY RANGE AND VSWR CHANGED	02/28/20	J QU
D	VSWR CHANGED TO 1.30 MAX.	01/26/22	J QU

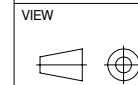


PART NO.	PART	FINISH
ANO 211-212-2097	BODY	GOLD
	COUPLING NUT	
	CENTER CONTACT	
ANO 211-212-2097-1	BODY	ALBALOY
	COUPLING NUT	
	CENTER CONTACT	SILVER

DRAWN	XB. YANG	DATE	01/26/22
CHECKED	W. YANG	DATE	01/26/22
APPROVED	J QU	DATE	01/26/22
UNLESS OTHERWISE SPECIFIED DIMENSIONS ARE IN MILLIMETERS, DIMENSIONS IN [] ARE IN INCHES FOR CUSTOMER REFERENCE ONLY UNLESS OTHERWISE SPECIFIED TOLERANCE ARE:		THESE DRAWINGS AND SPECIFICATIONS ARE THE PROPERTY OF ANOISON ELECTRONICS LTD AND SHOULD NOT BE USED WITHOUT WRITTEN PERMISSION COPYRIGHT © 2022 ANOISON ELECTRONICS LTD	
.XX	±0.13 [.005"]		
.X	±0.20 [.008"]		
X	±0.50 [.019"]		
.X°	±1°		
X°	±2°		



TITLE
ADAPTER, RIGHT ANGLE, SMA MALE TO SMA FEMALE



PART NO. ANO 211-212-2097			
SIZE A3	SCALE 4:1	SHEET 1/1	REV. D