

4 3 2 1

MATERIAL & FINISH:

- 1 BODY: BRASS, SEE TABLE
- 2 CENTER CONTACT: BERYLLIUM COPPER ALLOY, SEE TABLE
- 3 INSULATOR: PTFE
- 4 COUPLING NUT: BRASS, SEE TABLE
- 5 GASKET: SILICONE RUBBER

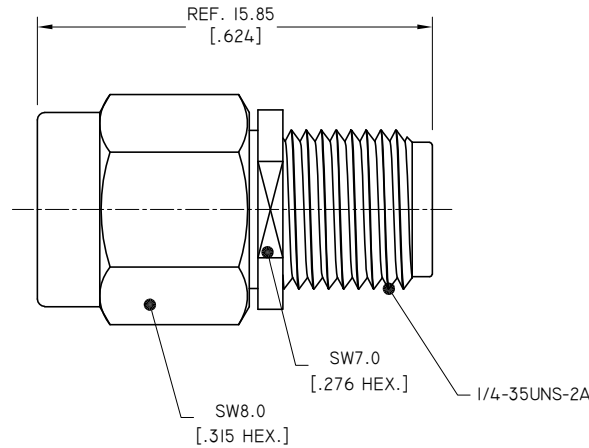
ELECTRICAL DATA:

- 1 IMPEDANCE: 50 Ω
- 2 FREQUENCY RANGE: DC-18 GHz
- 3 VSWR: 1.15 MAX. DC-3 GHz
1.20 MAX. 3~6 GHz
1.25 MAX. 6~18 GHz

ENVIRONMENTAL DATA:


- 1 TEMPERATURE RANGE: -55°C~+125°C
- 2 2011/65/EU (RoHS): COMPLIANT

| REVISIONS | | | |
|-----------|--------------------|----------|----------|
| REV. | DESCRIPTION | DATE | APPROVED |
| B | FINISH CHANGED | 04/06/13 | J. QU |
| C | PART NO. CHANGED | 09/17/14 | J. QU |
| D | PART NO. ADDED | 11/13/17 | J. QU |
| E | ELECTRICAL CHANGED | 12/10/20 | J. QU |

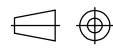


| PART NUMBER | PART | FINISH |
|--------------------|----------------|---------|
| ANO 211-212-1302 | BODY | GOLD |
| | CENTER CONTACT | GOLD |
| | COUPLING NUT | GOLD |
| ANO 211-212-1302-1 | BODY | ALBALOY |
| | CENTER CONTACT | SILVER |
| | COUPLING NUT | ALBALOY |

| | | | |
|-----------------------------------------------------------------------------------------------------------------------------------------------------------------|----------------|--------------------------------------------------------------------------------------------------------------------------------------------------------------------------|----------|
| DRAWN | W. YANG | DATE | 12/10/20 |
| CHECKED | L. YANG | DATE | 12/10/20 |
| APPROVED | J. QU | DATE | 12/10/20 |
| UNLESS OTHERWISE SPECIFIED DIMENSIONS ARE IN MILLIMETERS, DIMENSIONS IN [] ARE IN INCHES FOR CUSTOMER REFERENCE ONLY UNLESS OTHERWISE SPECIFIED TOLERANCE ARE: | | THESE DRAWINGS AND SPECIFICATIONS ARE THE PROPERTY OF ANOISON ELECTRONICS LTD AND SHOULD NOT BE USED WITHOUT WRITTEN PERMISSION COPYRIGHT © 2020 ANOISON ELECTRONICS LTD | |
| .XX | ±0.13 [0.005"] | | |
| .X | ±0.20 [0.008"] | | |
| X | ±0.50 [0.019"] | | |
| X° | ±1° | | |
| X" | ±2° | | |



TITLE
ADAPTER, SMA MALE TO SMA FEMALE

VIEW 

PART NO. ANO 211-212-1302

| | | | |
|------------|--------------|--------------|-----------|
| SIZE A3 | SCALE 5:1 | SHEET 1/1 | REV. E |
|------------|--------------|--------------|-----------|

4 3 2 1