

REVISIONS			
REV.	DESCRIPTION	DATE	APPROVED
A	INITIAL RELEASE	11/28/22	J. Q

**MATERIAL & FINISH:**

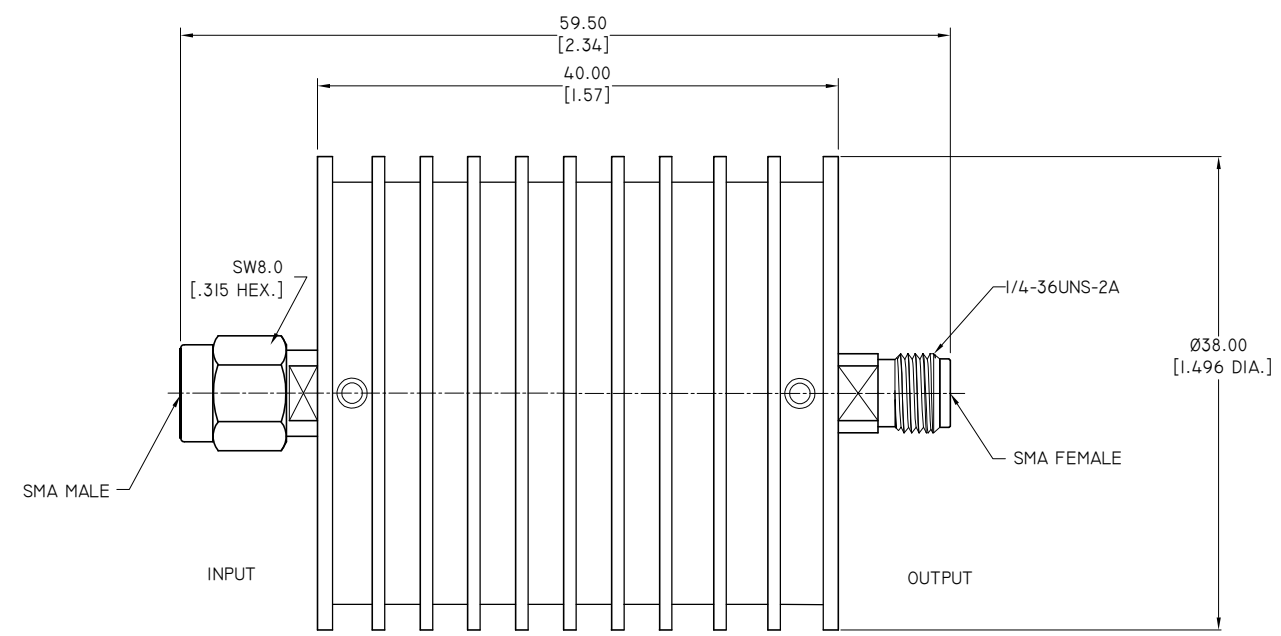
- 1 BODY: STAINLESS STEEL, PASSIVATED
- 2 CENTER CONTACT: BERYLLIUM COPPER ALLOY, GOLD PLATED
- 3 INSULATOR: PTFE
- 4 COUPLING NUT: STAINLESS STEEL, PASSIVATED
- 5 RADIATOR: ALUMINIUM, BLACK

**ELECTRICAL DATA:**

- 1 IMPEDANCE: 50 Ω
- 2 FREQUENCY RANGE: DC~8 GHz
- 3 VSWR: 1.20 MAX.
- 4 AVERAGE POWER: MAXIMUM POWER 25 WATTS AVERAGE TO 25°C AMBIENT TEMPERATURE, DERATED LINEARLY TO 2.5W @ 125°C
- 5 PEAK POWER: MAXIMUM POWER 400 W (5μS PULSE WIDTH WITH THE MAXIMUM 5% DUTY CYCLE)
- 6 ATTENUATOR ACCURACY: SEE TABLE

**ENVIRONMENTAL DATA:**

- 1 TEMPERATURE RANGE: -55°C~+125°C
- 2 2011/65/EU(RoHS) AND 2015/863/(RoHS): COMPLIANT
- 3 1907/2006/EC(REACH) AND 1999/45/EC(REACH): COMPLIANT



PART NO.	ATTENUATION VALUES & ACCURACY			
	1~10 DB	11~20 DB	21~30 DB	31~40 DB
ANO 21-2503-XX	±0.5 DB	±0.6 DB	±0.8 DB	±0.8 DB

NOTE: XX REFER TO ATTENUATION VALUE IN DB

DRAWN	W. Y	DATE	11/28/22
CHECKED	X. Y	DATE	11/28/22
APPROVED	J. Q	DATE	11/28/22
UNLESS OTHERWISE SPECIFIED DIMENSIONS ARE IN MILLIMETERS, DIMENSIONS IN [ ] ARE IN INCHES FOR CUSTOMER REFERENCE ONLY UNLESS OTHERWISE SPECIFIED TOLERANCE ARE:		THESE DRAWINGS AND SPECIFICATIONS ARE THE PROPERTY OF ANOISON ELECTRONICS LTD AND SHOULD NOT BE USED WITHOUT WRITTEN PERMISSION COPYRIGHT © 2022 ANOISON ELECTRONICS LTD	
.XX	±0.13 [ .005" ]		
.X	±0.25 [ .010" ]		
X	±0.50 [ .019" ]		
.X*	±1*		
X*	±2*		

**TITLE**  
ATTENUATOR SMA MALE TO SMA FEMALE  
25 WATT UNI DIRECTIONAL, DC~8GHz

**PART NO.**  
ANO 21-2503-XX

<b>VIEW</b>		<b>SIZE</b>	A3	<b>SCALE</b>	2.5:1	<b>SHEET</b>	1/1	<b>REV.</b>	A
-------------	--	-------------	----	--------------	-------	--------------	-----	-------------	---