

REVISIONS			
REV.	DESCRIPTION	DATE	APPROVED
A	INITIAL RELEASE	08/21/19	J. Q
B	DRAWING CHANGED	07/12/24	J. Q

MATERIAL & FINISH:

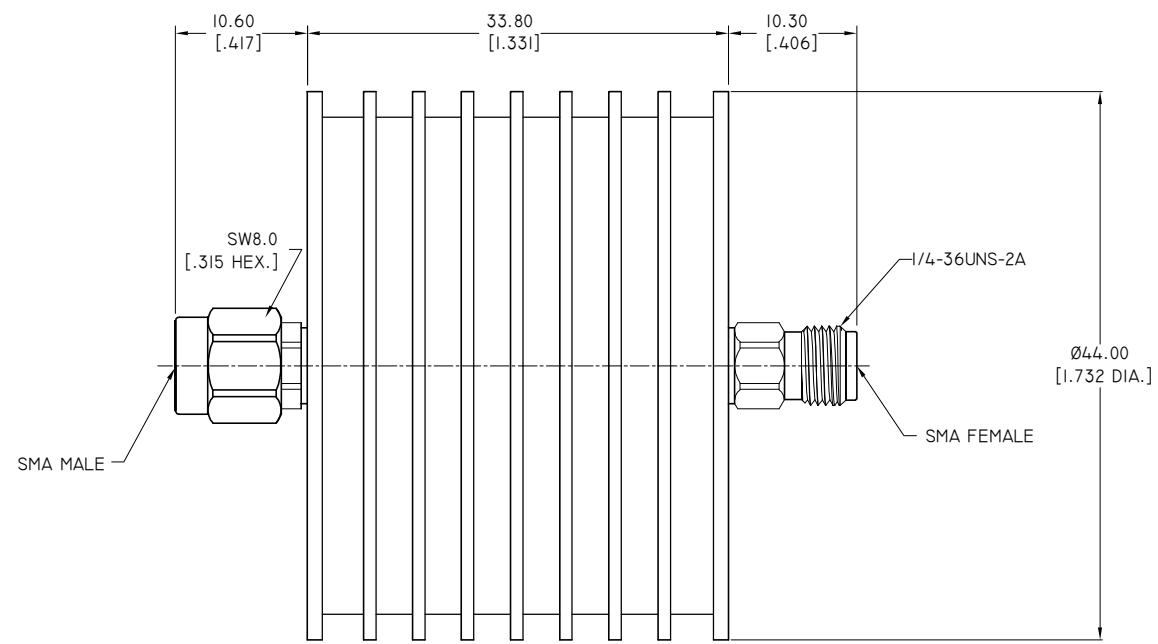
- 1 BODY: STAINLESS STEEL, PASSIVATED
- 2 CENTER CONTACT: BERYLLIUM COPPER ALLOY, GOLD PLATED
- 3 INSULATOR: PEI
- 4 COUPLING NUT: STAINLESS STEEL, PASSIVATED
- 5 RADIATOR: ALUMINIUM, BLACK

ELECTRICAL DATA:

- 1 IMPEDANCE: 50 Ω
- 2 FREQUENCY RANGE: DC~26.5 GHZ
- 3 VSWR: 1.30 MAX.
- 4 AVERAGE POWER: MAXIMUM POWER 20 WATTS AVERAGE TO 25°C AMBIENT TEMPERATURE, DERATED LINEARLY TO 2W @ 125°C
- 5 PEAK POWER: MAXIMUM POWER 300 W (5μS PULSE WIDTH WITH THE MAXIMUM 5% DUTY CYCLE)
- 6 ATTENUATOR ACCURACY: SEE TABLE

ENVIRONMENTAL DATA:

- 1 TEMPERATURE RANGE: -55°C~+125°C
- 2 2011/65/EU(RoHS) AND 2015/863/(RoHS): COMPLIANT
- 3 1907/2006/EC(REACH) AND 1999/45/EC(REACH): COMPLIANT



PART NO.	ATTENUATION VALUES & ACCURACY		
	10 DB	20 DB	30 DB
ANO 2I-200I-XX	±1.5 DB	±1.5 DB	±1.5 DB

NOTE: XX REFER TO ATTENUATION VALUE IN DB

DRAWN	W. Y	DATE	07/12/24
CHECKED	X. Y	DATE	07/12/24
APPROVED	J. Q	DATE	07/12/24
UNLESS OTHERWISE SPECIFIED DIMENSIONS ARE IN MILLIMETERS, DIMENSIONS IN [] ARE IN INCHES FOR CUSTOMER REFERENCE ONLY UNLESS OTHERWISE SPECIFIED TOLERANCE ARE:		THESE DRAWINGS AND SPECIFICATIONS ARE THE PROPERTY OF ANOISON ELECTRONICS LTD AND SHOULD NOT BE USED WITHOUT WRITTEN PERMISSION COPYRIGHT © 2024 ANOISON ELECTRONICS LTD	
.XX	±0.13 [.005"]		
.X	±0.25 [.010"]		
X	±0.50 [.019"]		
.X°	±1°		
X°	±2°		



TITLE			
ATTENUATOR SMA MALE TO SMA FEMALE 20 WATT, DC~26.5GHZ			
VIEW	PART NO.		
	ANO 2I-200I-XX		
SIZE	SCALE	SHEET	REV.
A3	2.5:1	1/1	B