

REVISIONS			
REV.	DESCRIPTION	DATE	APPROVED
A	INITIAL RELEASE	01/20/21	J. QU

MATERIAL & FINISH:

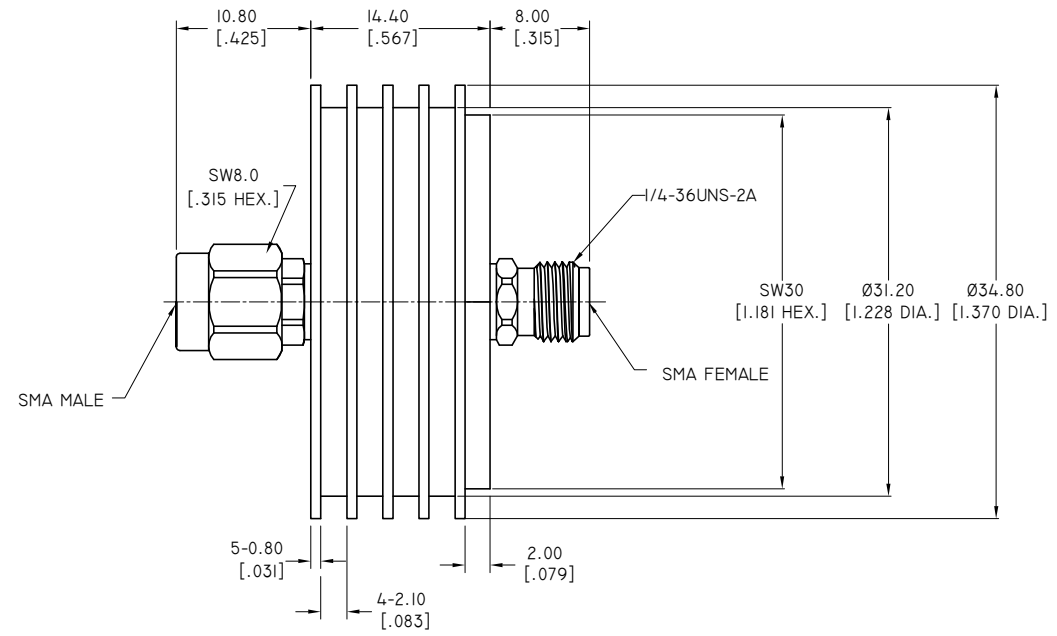
- 1 BODY: STAINLESS STEEL, PASSIVATED
- 2 CENTER CONTACT: BERYLLIUM COPPER ALLOY, GOLD PLATED
- 3 INSULATOR: PEI
- 4 COUPLING NUT: STAINLESS STEEL, PASSIVATED
- 5 RADIATOR: ALUMINIUM, BLACK

ELECTRICAL DATA:

- 1 IMPEDANCE: 50 Ω
- 2 FREQUENCY RANGE: DC~27 GHz
- 3 VSWR: 1.26 MAX.
- 4 AVERAGE POWER: MAXIMUM POWER 10 WATTS AVERAGE TO 25°C AMBIENT TEMPERATURE, DERATED LINEARLY TO 1W @ 125°C
- 5 PEAK POWER: MAXIMUM POWER 200 W (5μS PULSE WIDTH WITH THE MAXIMUM 2.5% DUTY CYCLE)
- 6 ATTENUATOR ACCURACY: SEE TABLE

ENVIRONMENTAL DATA:

- 1 TEMPERATURE RANGE: -55 °C~+125 °C
- 2 2011/65/EU(RoHS) AND 2015/863/(RoHS): COMPLIANT
- 3 1999/45/EC(REACH): COMPLIANT



PART NO.	ATTENUATION VALUES & ACCURACY			
	1 DB ~ 3 DB	4 DB ~ 8 DB	9 DB ~ 25 DB	26 DB ~ 40 DB
ANO 21-1004-XX	+0.8 -0.6 DB	±0.7 DB	±0.7 DB	+1.0 -0.5 DB

NOTE: XX REFER TO ATTENUATION VALUE IN DB

DRAWN	P. CHEN	DATE	01/20/21
CHECKED	W. YANG	DATE	01/20/21
APPROVED	J. QU	DATE	01/20/21
UNLESS OTHERWISE SPECIFIED DIMENSIONS ARE IN MILLIMETERS, DIMENSIONS IN [] ARE IN INCHES FOR CUSTOMER REFERENCE ONLY UNLESS OTHERWISE SPECIFIED TOLERANCE ARE:		THESE DRAWINGS AND SPECIFICATIONS ARE THE PROPERTY OF ANOISON ELECTRONICS LTD AND SHOULD NOT BE USED WITHOUT WRITTEN PERMISSION COPYRIGHT © 2021 ANOISON ELECTRONICS LTD	
.XX	±0.13 [.005"]		
.X	±0.25 [.010"]		
X	±0.50 [.019"]		
.X°	±1°		
X°	±2°		

TITLE
ATTENUATOR SMA MALE TO SMA FEMALE
10 WATT, DC~27GHZ

VIEW

PART NO.
ANO 21-1004-XX

SIZE A3	SCALE 2.5:1	SHEET 1/1	REV. A
-------------------	-----------------------	---------------------	------------------

4

3

2

1

D

C

B

A

D

C

B

A