

MATERIAL & FINISH:

- 1 BODY: BRASS, ALBALOY PLATED
- 2 CENTER CONTACT: BERYLLIUM COPPER ALLOY, GOLD PLATED
- 3 OUTER CONTACT: BERYLLIUM COPPER ALLOY, GOLD PLATED
- 4 INSULATOR: PTFE
- 5 FASTENING NUT: BRASS, ALBALOY PLATED
- 6 WASHER LOCK: PHOSPHOR BRONZE, ALBALOY PLATED

ENVIRONMENTAL DATA:

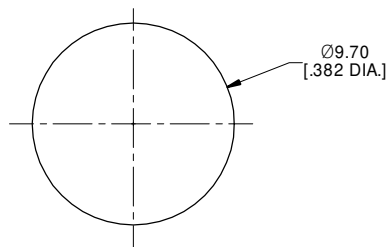
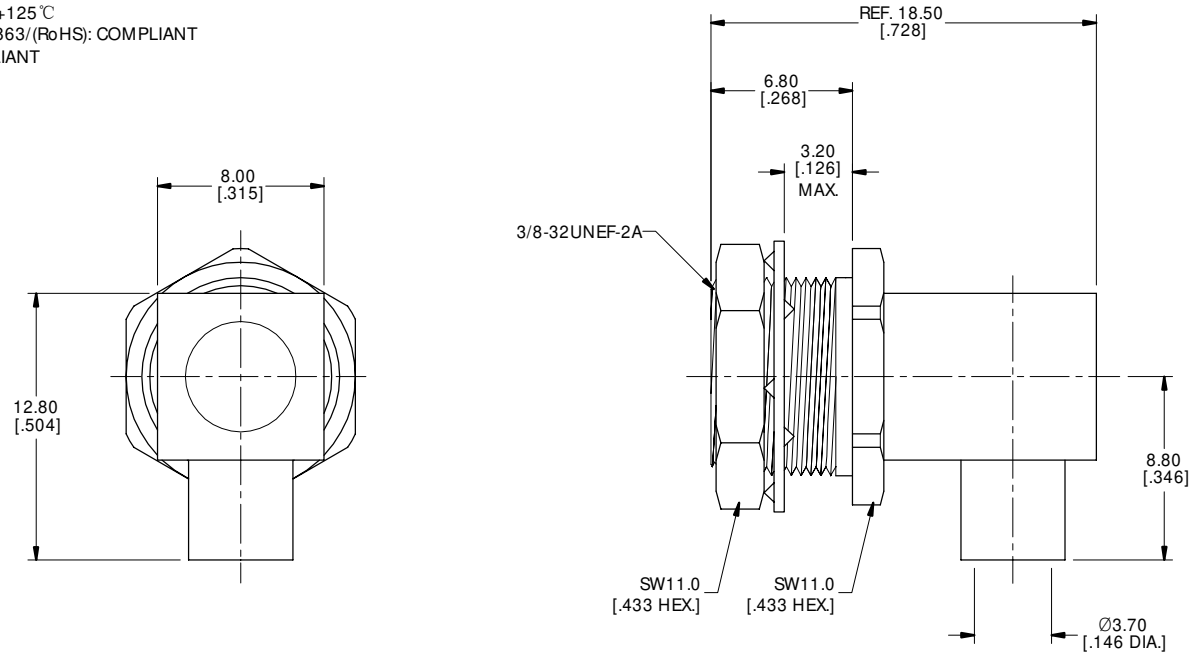
- 1 TEMPERATURE RANGE: -55°C~+125°C
- 2 2011/65/EU(RoHS) AND 2015/863/(RoHS): COMPLIANT
- 3 1907/2006/EC(REACH): COMPLIANT

ELECTRICAL DATA:

- 1 IMPEDANCE: 50 Ω
- 2 FREQUENCY RANGE: DC~6 GHz

REVISIONS

REV.	DESCRIPTION	DATE	APPROVED
A	INITIAL RELEASE	12/17/20	J QU



RECOMMENDED MOUNTING HOLE

DRAWN	X. B. YANG	DATE	12/17/20
CHECKED	W. YANG	DATE	12/17/20
APPROVED	J QU	DATE	12/17/20
UNLESS OTHERWISE SPECIFIED DIMENSIONS ARE IN MILLIMETERS, DIMENSIONS IN [] ARE IN INCHES FOR CUSTOMER REFERENCE ONLY UNLESS OTHERWISE SPECIFIED TOLERANCE ARE:		THESE DRAWINGS AND SPECIFICATIONS ARE THE PROPERTY OF ANOISON ELECTRONICS LTD AND SHOULD NOT BE USED WITHOUT WRITTEN PERMISSION COPYRIGHT © 2020 ANOISON ELECTRONICS LTD	
.xx	±0.13 [.005"]		
.x	±0.20 [.008"]		
x	±0.50 [.019"]		
x°	±1°		
x°	±2°		



TITLE
BMA RIGHT ANGLE FEMALE BULKHEAD SOLDER FOR .141 CABLE

VIEW	PART NO. ANO 1422-1020		
SIZE A3	SCALE 4:1	SHEET 1/1	REV. A