

4

3

2

1

MATERIAL & FINISH:

1. BODY : STAINLESS STEEL, GOLD PLATED
2. CENTER CONTACT: BERYLLIUM COPPER, GOLD PLATED
3. CONTACT SLEEVE: BERYLLIUM COPPER, GOLD PLATED
4. INSULATOR: PTFE
5. METAL GASKET: STAINLESS STEEL, GOLD PLATED
6. BUSHING CONTACT EXT: KOVAR, GOLD PLATED
7. GLASS SEAL: GLASS BEAD

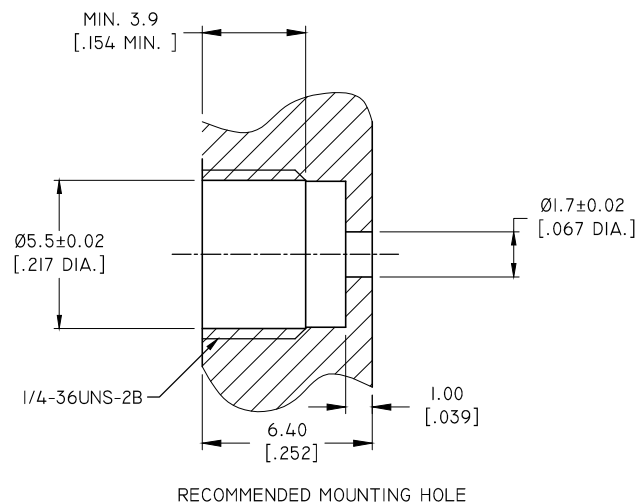
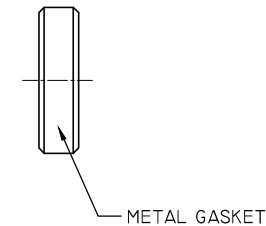
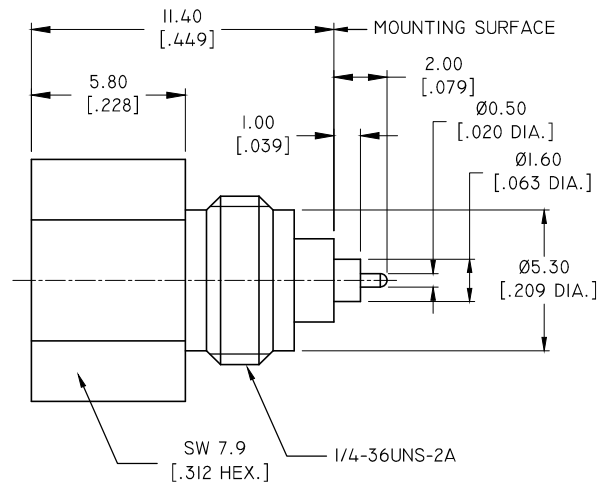
ELECTRICAL DATA:

1. IMPEDANCE: 50 Ω
2. FREQUENCY RANGE: DC~18 GHz
3. VSWR: ≤1.30

ENVIRONMENTAL DATA:

1. TEMPERATURE RANGE: -40°C~+85°C
2. 2011/65/EU(RoHS) AND 2015/863/(RoHS): COMPLIANT
3. 1999/45/EC(REACH): COMPLIANT

REVISIONS			
REV.	DESCRIPTION	DATE	APPROVED
A	INITIAL RELEASE	05/23/19	J. QU



DRAWN	W. YANG	DATE	05/23/19
CHECKED	X. B. YANG	DATE	05/23/19
APPROVED	J. QU	DATE	05/23/19
UNLESS OTHERWISE SPECIFIED DIMENSIONS ARE IN MILLIMETERS, DIMENSIONS IN [] ARE IN INCHES FOR CUSTOMER REFERENCE ONLY UNLESS OTHERWISE SPECIFIED TOLERANCE ARE:		THESE DRAWINGS AND SPECIFICATIONS ARE THE PROPERTY OF ANOISON ELECTRONICS LTD AND SHOULD NOT BE USED WITHOUT WRITTEN PERMISSION COPYRIGHT © 2019 ANOISON	
.XX	±0.13 [.005"]		
.X	±0.20 [.008"]		
X	±0.50 [.019"]		
.X°	±1°		
X°	±2°		

TITLE BMA STRAIGHT PLUG THREAD-IN HERMETIC			
VIEW	PART NO. ANO 1412-5011		
	SIZE A3	SCALE 5:1	SHEET 1/1
			REV. A

4

3

2

1