

4 3 2 1

MATERIAL & FINISH:

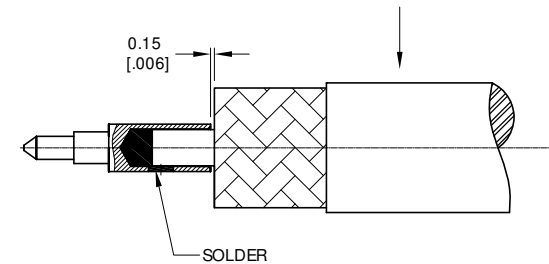
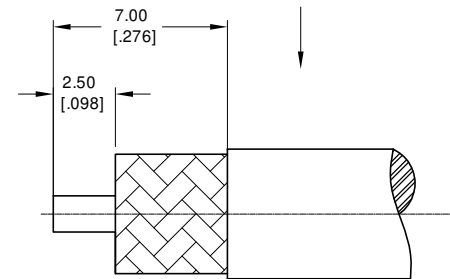
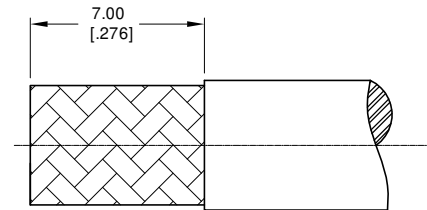
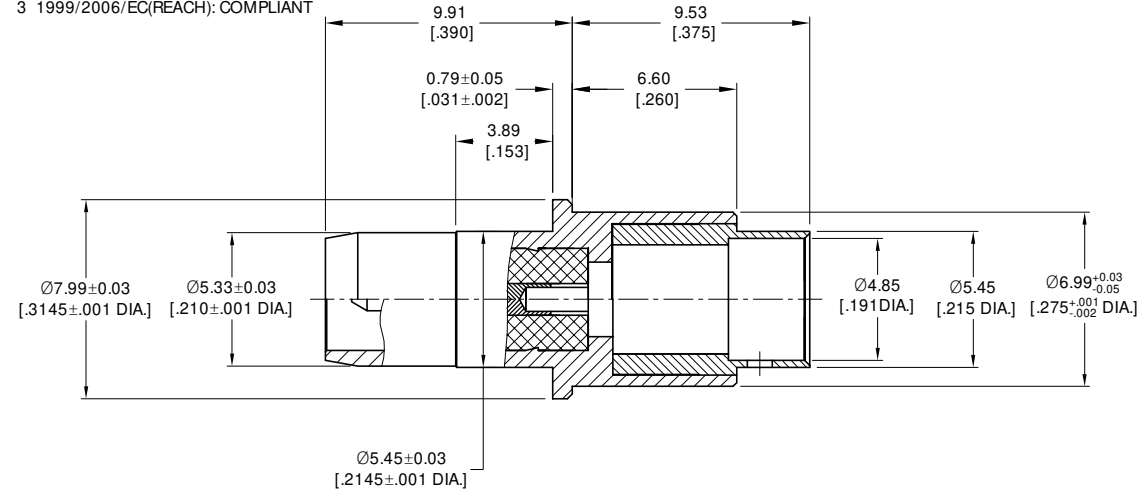
- 1 BODY: STAINLESS STEEL, PASSIVATED
- 2 CENTER CONTACT: BERYLLIUM COPPER ALLOY, GOLD PLATED
- 3 INSULATOR: PTFE
- 4 OTHER BODY PART: PHOSPHOR BRONZE, GOLD PLATED

ELECTRICAL DATA:

- 1 IMPEDANCE: 50 Ω
- 2 FREQUENCY RANGE: DC~18 GHz
- 3 VSWR: ≤1.30

ENVIRONMENTAL DATA:

- 1 TEMPERATURE RANGE: -55 °C~+125 °C
- 2 2011/65/EU(RoHS) AND 2015/863/(RoHS): COMPLIANT
- 3 1999/2006/EC(REACH): COMPLIANT



CABLE STRIPPING DIMENSIONS

REVISIONS			
REV.	DESCRIPTION	DATE	APPROVED
B	CHANGED DRAWINGS	08/07/24	J Q
C	CHANGED DRAWINGS	08/21/24	J Q
D	CHANGED DRAWINGS	08/23/24	J Q

DRAWN	P. C	DATE	08/23/24
CHECKED	W. Y	DATE	08/23/24
APPROVED	J Q	DATE	08/23/24
UNLESS OTHERWISE SPECIFIED DIMENSIONS ARE IN MILLIMETERS, DIMENSIONS IN [] ARE IN INCHES FOR CUSTOMER REFERENCE ONLY UNLESS OTHERWISE SPECIFIED TOLERANCE ARE:		THESE DRAWINGS AND SPECIFICATIONS ARE THE PROPERTY OF ANOISON ELECTRONICS LTD AND SHOULD NOT BE USED WITHOUT WRITTEN PERMISSION COPYRIGHT © 2024 ANOISON ELECTRONICS LTD	
XX	±0.13 [.005"]		
X	±0.20 [.008"]		
X	±0.50 [.019"]		
X"	±1°		
X"	±2°		

TITLE
BMA STRAIGHT PLUG (MALE PIN) SOLDER FOR PLEX210/IW1801 CABLE FITS TO D38999 SIZE 8

VIEW

PART NO. ANO 1411-2039

SIZE	SCALE	SHEET	REV.
A3	5:1	1/1	D

4 3 2 1