

4

3

2

1

MATERIAL & FINISH:

- 1 BODY: STAINLESS STEEL, GOLD PLATED
- 2 CENTER CONTACT: BERYLLIUM COPPER ALLOY, GOLD PLATED
- 3 INSULATOR: PTFE
- 4 O RING: SILICONE RUBBER
- 5 WASHER: STAINLESS STEEL, GOLD PLATED
- 6 COUPLING NUT: STAINLESS STEEL, GOLD PLATED

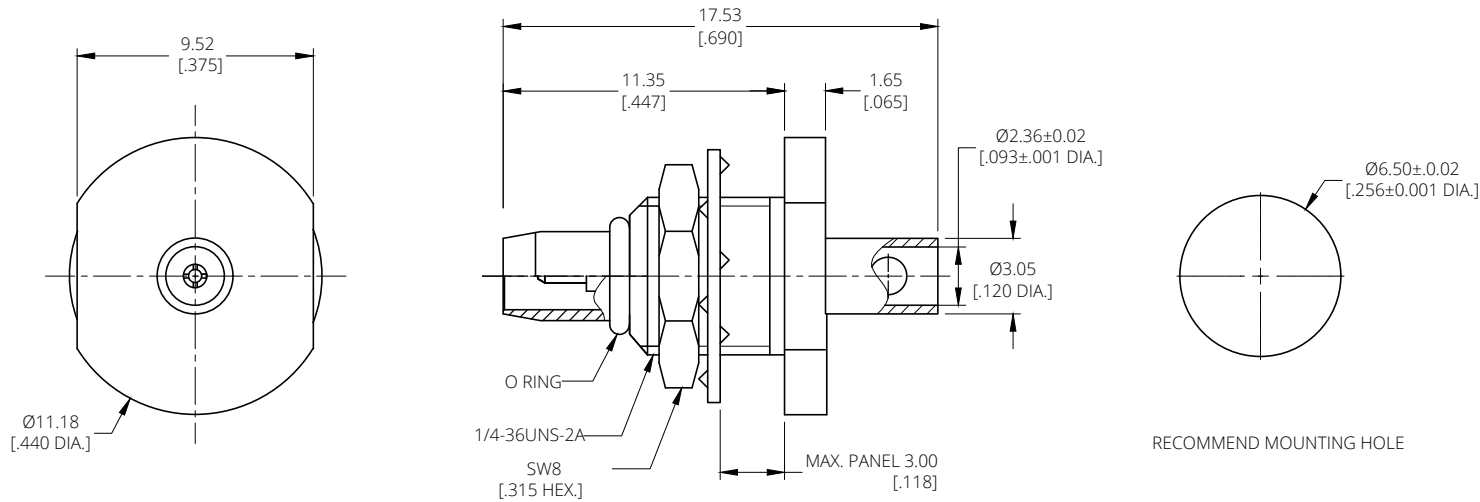
ELECTRICAL DATA:

- 1 IMPEDANCE: 50 Ω
- 2 FREQUENCY RANGE: DC ~ 28 GHz
- 3 VSWR: 1.35 MAX.
- 4 INSERTION LOSS: 0.40 dB MAX.

ENVIRONMENTAL DATA:

- 1 TEMPERATURE RANGE: -65°C~+125°C
- 2 2011/65/EU(RoHS) AND 2015/863/(RoHS): COMPLIANT
- 3 1907/2006/EC(REACH): COMPLIANT

REVISIONS			
REV.	DESCRIPTION	DATE	APPROVED
A	INITIAL RELEASE	08/28/24	J. Q



DRAWN	Y. H	DATE	08/28/24
CHECKED	L. Y	DATE	08/28/24
APPROVED	J. Q	DATE	08/28/24
UNLESS OTHERWISE SPECIFIED DIMENSIONS ARE IN MILLIMETERS, DIMENSIONS IN [] ARE IN INCHES FOR CUSTOMER REFERENCE ONLY UNLESS OTHERWISE SPECIFIED TOLERANCE ARE:		THESE DRAWINGS AND SPECIFICATIONS ARE THE PROPERTY OF ANOISON ELECTRONICS LTD AND SHOULD NOT BE USED WITHOUT WRITTEN PERMISSION COPYRIGHT © 2024 ANOISON ELECTRONICS LTD	
XX	±0.13 [005"]		
X	±0.20 [008"]		
X	±0.50 [019"]		
X°	±1°		
X"	±2°		



TITLE			
BMMA STRAIGHT PLUG(MALE PIN) BULKHEAD SOLDER FOR Tflex405/AFlex086 CABLE			
VIEW		PART NO.	
		ANO 1211-1004	
SIZE	SCALE	SHEET	REV.
A3	5:1	1/1	A

4

3

2

1