

MATERIAL & FINISH:

- 1 BODY & SHROUD: BRASS, GOLD PLATED
- 2 CENTER CONTACT: PHOSPHOR BRONZE, GOLD PLATED
- 3 INSULATOR: PTFE & PEEK

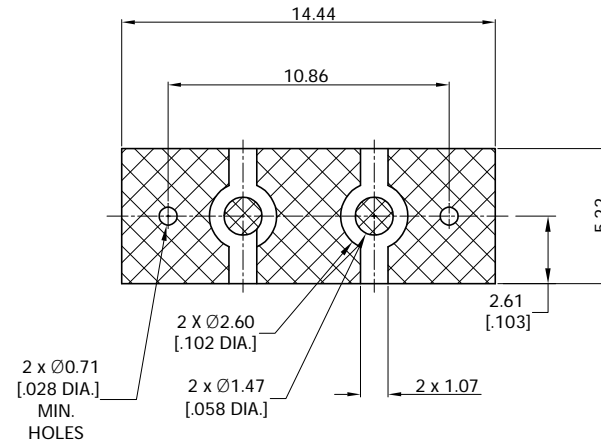
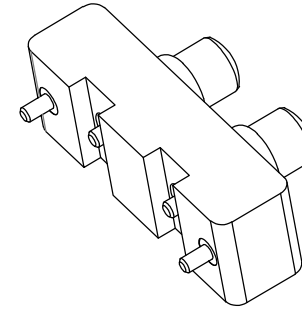
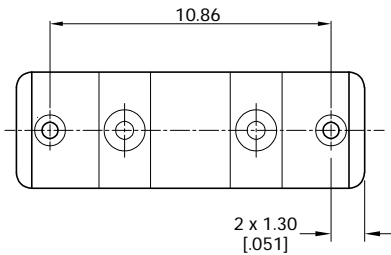
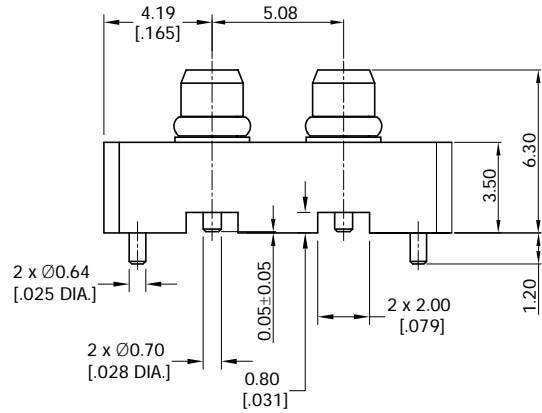
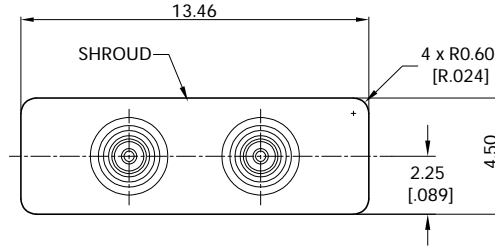
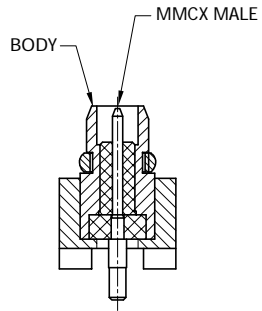
ENVIRONMENTAL DATA:

- 1 TEMPERATURE RANGE: -55°C~+165°C
- 2 2011/65/EU(RoHS) AND 2015/863/(RoHS): COMPLIANT
- 3 1999/45/EC(REACH): COMPLIANT

ELECTRICAL DATA:

- 1 IMPEDANCE: 50 Ω
- 2 FREQUENCY RANGE: DC-8.5 GHz

REVISIONS			
REV.	DESCRIPTION	DATE	APPROVED
A	INITIAL RELEASE	12/23/24	J. Q



RECOMMENDED MOUNTING HOLE PATTERN

DRAWN	X. Y	DATE	12/23/24						
CHECKED	W. Y	DATE	12/23/24						
APPROVED	J. Q	DATE	12/23/24						
UNLESS OTHERWISE SPECIFIED DIMENSIONS ARE IN MILLIMETERS. DIMENSIONS IN [] ARE IN INCHES FOR CUSTOMER REFERENCE ONLY UNLESS OTHERWISE SPECIFIED TOLERANCE ARE: .XX ±0.13 [.005"] .X ±0.20 [.008"] X ±0.50 [.019"] X° ±1° X° ±2°				THESE DRAWINGS AND SPECIFICATIONS ARE THE PROPERTY OF ANOISON ELECTRONICS LTD AND SHOULD NOT BE USED WITHOUT WRITTEN PERMISSION COPYRIGHT © 2024 ANOISON ELECTRONICS LTD					
TITLE				2-PORT, MMCX MALE STRAIGHT SMT					
VIEW				PART NO. ANO 1111-4044					
		SIZE	A3	SCALE	5:1	SHEET	1/1	REV.	A