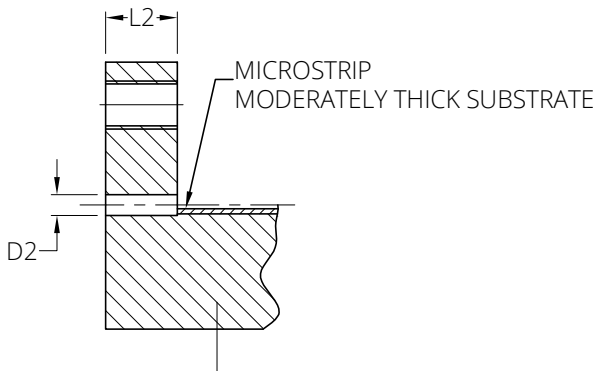
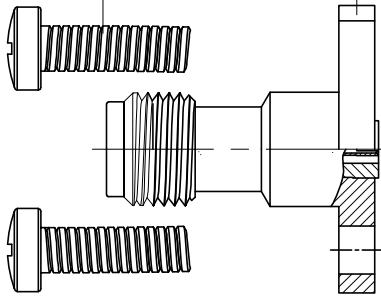
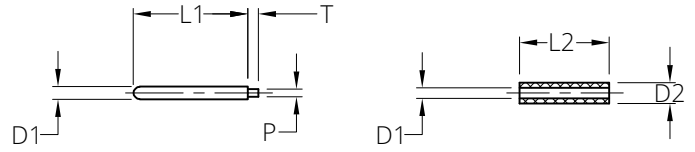


1MM STRAIGHT FEMALE, 2 HOLE FLANGE MOUNT (ACCEPT P/N: M-001G & M-002G)

M1.6 SCREW X 2 ANO 7612-3002



RECOMMEND LAUNCH HOLE DIMENSIONS

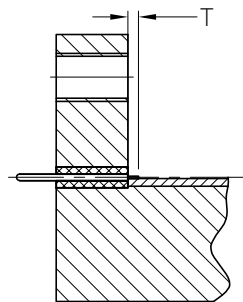


* DIELECTRIC IS PTFE

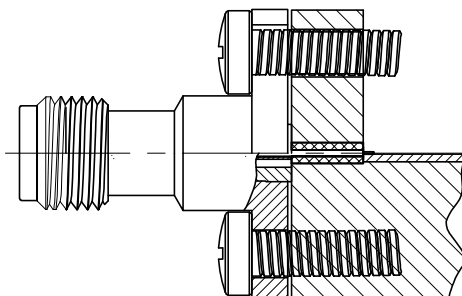
.009	.029	.015	.003	.160	.125	M-002G
				.225	.187	M-001G
D1 DIA.	D2 DIA.	T	P DIA.	L1	L2	P/N

MATERIALS / CONSTRUCTIONS:
 LAUNCH PIN: BERYLLIUM COPPER ALLOY, GOLD PLATING
 DIELECTRIC: PTFE

1



2



CONNECTOR ANO 7612-3012

STEP 1
 INSTALL FIGURE M-00XG ON THE PANEL

STEP 2
 INSTALL FIGURE ANO 7612-3012 INTO STEP 1 AND TIGHTEN THE SCREW X2