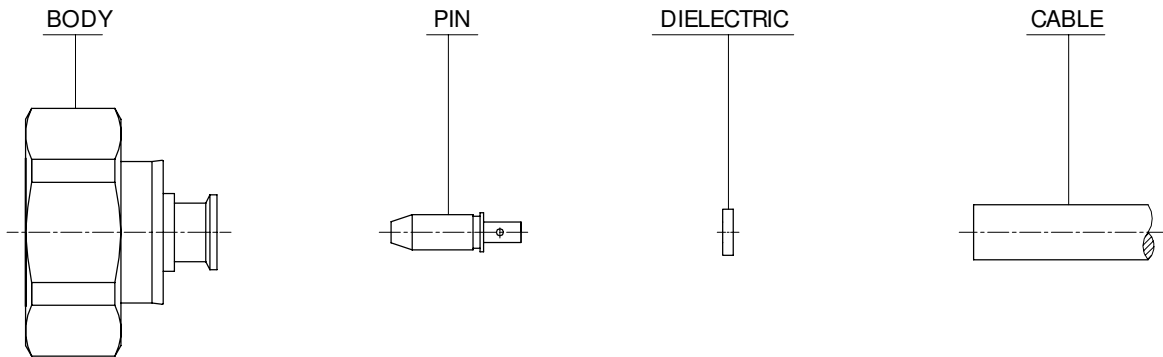
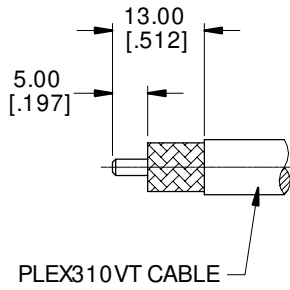


P/N: ANO 5611-2052
 Description: 7/16 STRAIGHT MALE SOLDER FOR PLEX310VT CABLE



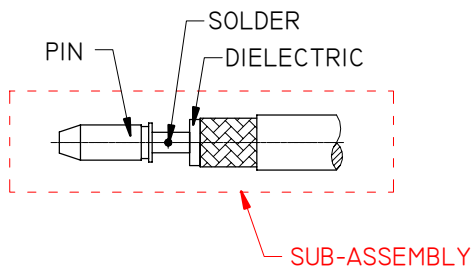
Step 1



Step 1

- a. Strip the cable according to the dimensions, as shown.
- b. Tin inner braid of cable.

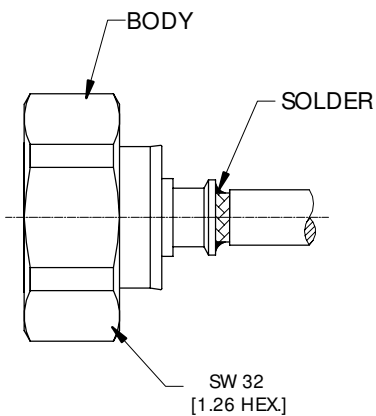
Step 2



Step 2

- a. Insert the cable into the dielectric & pin, then solder pin onto the cable, as shown.

Step 3



Step 3

- a. **Sub-assembly** into the body, then solder body onto the cable, as shown.