

4 3 2 1

REVISIONS			
REV.	DESCRIPTION	DATE	APPROVED
A	INITIAL RELEASE	01/24/24	J Q

**MATERIAL & FINISH:**

**SMPM CONNECTOR:**

- 1 BODY: BERYLLIUM COPPER ALLOY, GOLD PLATED
- 2 CENTER CONTACT: BERYLLIUM COPPER ALLOY, GOLD PLATED
- 3 INSULATOR: PTFE

**SMA CONNECTOR:**

- 1 BODY: STAINLESS STEEL, GOLD PLATED
- 2 CENTER CONTACT: BRASS, GOLD PLATED
- 3 COUPLING NUT: STAINLESS STEEL, PASSIVATED
- 4 INSULATOR: PTFE
- 5 GASKET: SILICONE RUBBER

**ELECTRICAL DATA:**

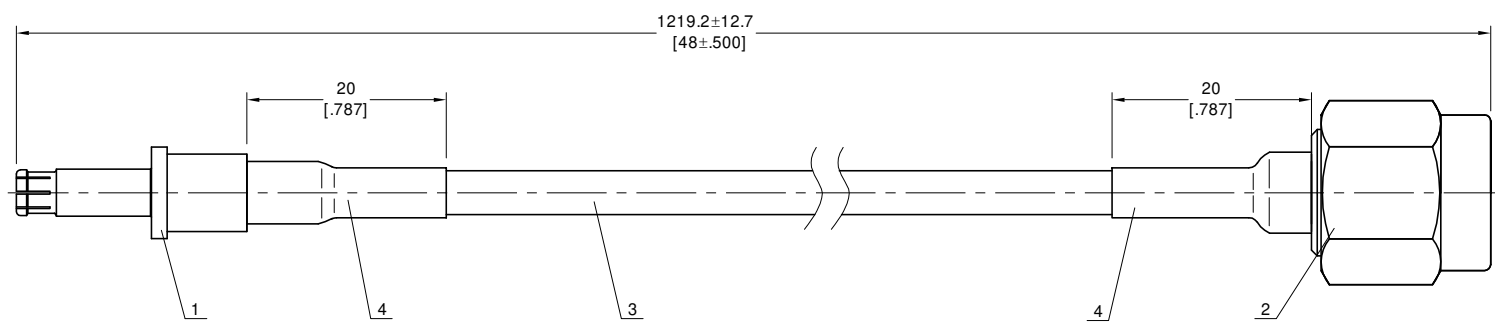
- 1 IMPEDANCE: 50 Ω
- 2 FREQUENCY RANGE: DC~26.5 GHz
- 3 VSWR: 1.35 MAX.
- 4 INSERTION LOSS: 5.85dB MAX.

**ENVIRONMENTAL DATA:**

- 1 TEMPERATURE RANGE: -55 °C ~ +125 °C
- 2 2011/65/EU (RoHS) AND 2015/863/(RoHS): COMPLIANT
- 3 1999/45/EC (REACH): COMPLIANT

**ANO AFLEX-086 CABLE:**

- 1 INNER CONDUCTOR: SILVER PLATED COPPER
- 2 DIELECTRIC: PTFE
- 3 OUTER CONDUCTOR: SPIRAL WRAPPED SILVER PLATED COPPER TAPE  
+ SILVER PLATED COPPER
- 4 JACKET: FEP



SEQUENCE NUMBER	PART NO.	DESCRIPTION	QTY
4	ANO 8.687.102	HEAT-SHRINKABLE TUBES Ø4*20	2
3	ANO AFLEX-086	ANO AFLEX-086 CABLE	1
2	ANO 2111-2055-3	SMA STRAIGHT MALE SOLDER FOR .086 CABLE	1
1	ANO 9412-2043 (equal SV SF3221-4002)	SMPM FEMALE T-FLEX 405 CABLE FIT M38999 SIZE 12 INSERT	1

DRAWN	P. C	DATE	01/24/24
CHECKED	X. Y	DATE	01/24/24
APPROVED	J Q	DATE	01/24/24
UNLESS OTHERWISE SPECIFIED DIMENSIONS ARE IN MILLIMETERS, DIMENSIONS IN [ ] ARE IN INCHES FOR CUSTOMER REFERENCE ONLY UNLESS OTHERWISE SPECIFIED TOLERANCE ARE:		THESE DRAWINGS AND SPECIFICATIONS ARE THE PROPERTY OF ANOISON ELECTRONICS LTD AND SHOULD NOT BE USED WITHOUT WRITTEN PERMISSION COPYRIGHT © 2024 ANOISON ELECTRONICS LTD	
.XX	±0.13 [.005"]		
.X	±0.20 [.008"]		
X	±0.50 [.019"]		
.X°	±1°		
X°	±2°		

**ANOISON**

TITLE  
CABLE ASSEMBLY, SMPM FEMALE TO SMA MALE  
ANO AFLEX-086 CABLE, 48 INCHES

VIEW

PART NO. AF086-SMPMF-SMAM-48			
SIZE A3	SCALE 4:1	SHEET 1/1	REV. A

4 3 2 1