

1mm Series

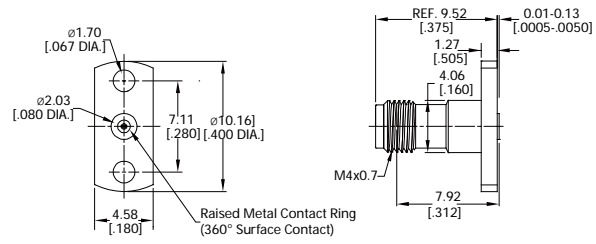
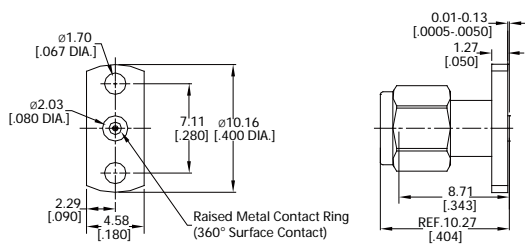


Although 1mm connectors were initially created in the 1990s the rush to develop the 1mm series connectors began in earnest only recently. Originally envisioned as small test connectors able to handle frequencies up to 110GHz, it took the combination of improved manufacturing, the evolution of technologies that depended on higher frequencies, and the development of accompanying test equipment to assure conformance to the specifications that 1mm connectors were able to be mass produced at reasonable prices. Along with its family of other high performance millimeter wave connectors, Anoisn has developed a superior family of 1mm connectors and adapters, including within-series and between-series, End Launch connectors, and cable assemblies. All provide excellent mode free performance to 110GHz while offering low VSWR and insertion loss.



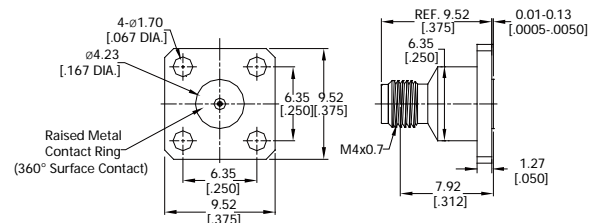
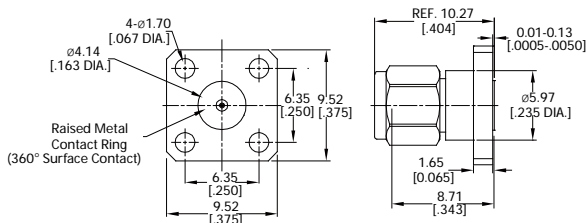
ANO 7611-3004 1mm Male 2 Hole Flange Mount

ANO 7612-3002 1mm Female 2 Hole Flange Mount



ANO 7611-3005 1mm Male 4 Hole Flange Mount

ANO 7612-3003 1mm Female 4 Hole Flange Mount

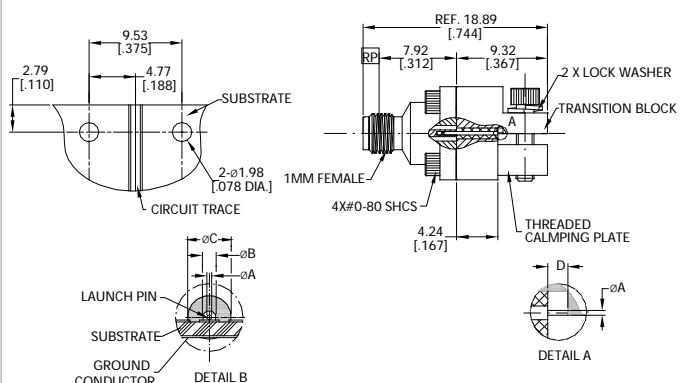
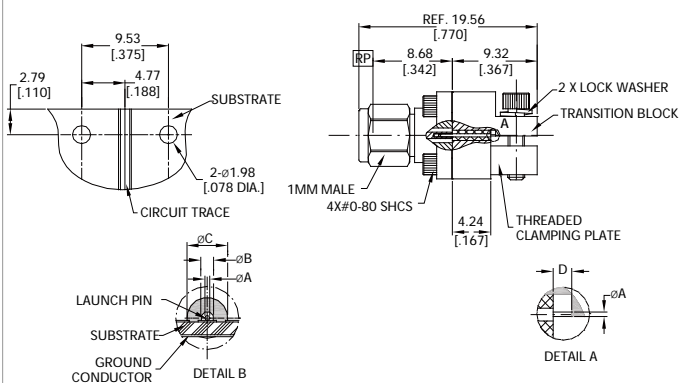


ANO 761-A1-L 1mm Male End Launch Connector

ANO 762-A1-L 1mm Male End Launch Connector

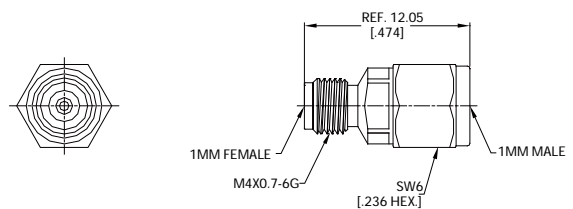
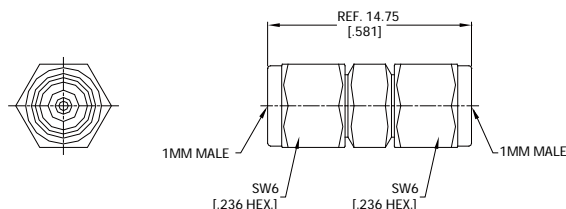
A	B	C	D
0.13 [0.005]	0.23 [0.009]	0.74 [0.029]	0.76 [0.030]

A	B	C	D
0.13 [0.005]	0.23 [0.009]	0.74 [0.029]	0.76 [0.030]



PA7676A 1mm Male to 1mm Male

PA7676B 1mm Female to 1mm Male



<p>PA7676C 1mm Female to 1mm Female</p>	<p>PA7676F 1mm Female to 1mm Female 4 Hole Flange</p>
<p>PA6276A 1mm Male to 1.85mm Male</p>	<p>PA6276B 1mm Male to 1.85mm Female</p>
<p>PA6276C 1mm Female to 1.85mm Female</p>	<p>PA6276D 1mm Female to 1.85mm Male</p>
<p>1.0mm Male 14 Inch .047 Flexible Cable Assembly</p>	

Typical Test Data

