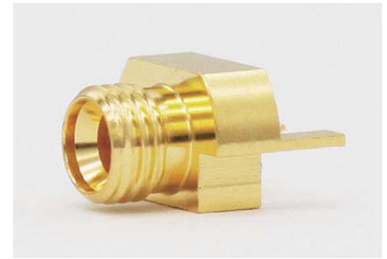
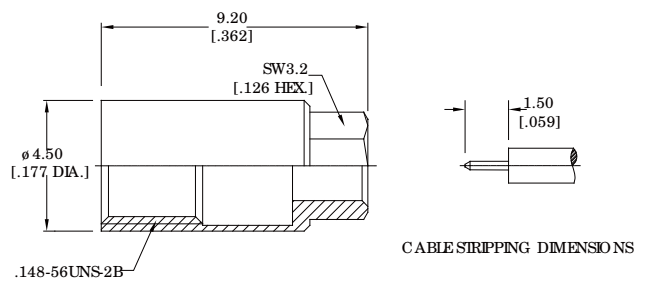
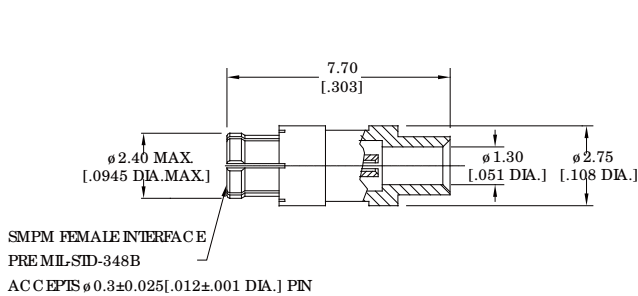


SMPM-T series connectors address the requirements for small space RF modules' connection typically addressed by the SMPM interface. Most miniband and microband applications use SMA and 2.92mm connectors. The SMPM improved application density and frequency over the SMA/2.92mm approach. Including a threaded mechanism, higher frequency (DC-67GHz), and availability of sizes for .086, .047, .034 cables. SMPM-T is a new generation series and a perfect replacement of traditional miniband/microband cable solutions.



**Straight Cable Connector
Jack (Female)**

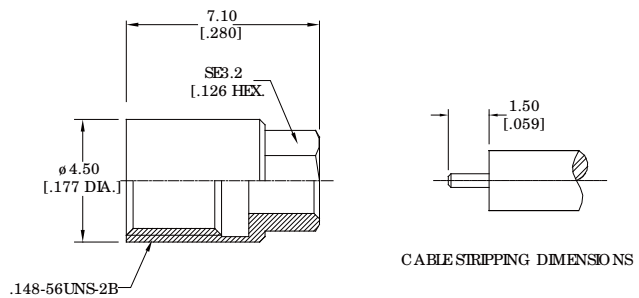
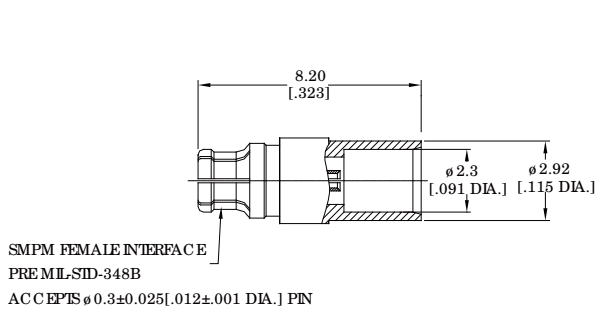
Connector No.	Cable	Body Material And Finish
ANO 9412-2022	.047	Beryllium Copper Alloy, Gold



CABLE STRIPPING DIMENSIONS

**Straight Cable Connector
Jack (Female)**

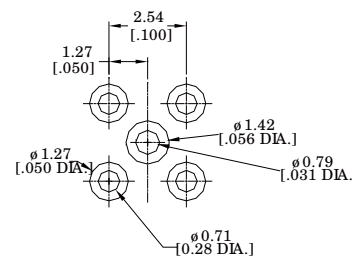
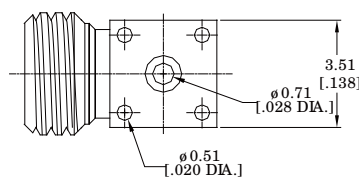
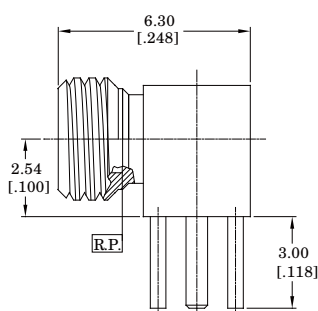
Connector No.	Cable	Body Material And Finish
ANO 9412-2032	.086	Beryllium Copper Alloy, Gold



CABLE STRIPPING DIMENSIONS

**PCB Mount Connector
Plug (Male)**

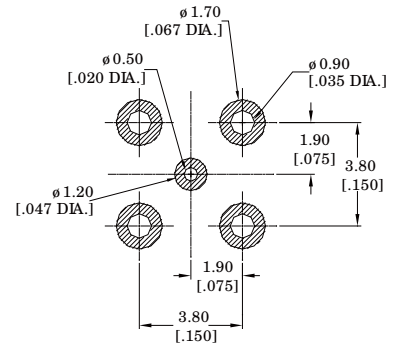
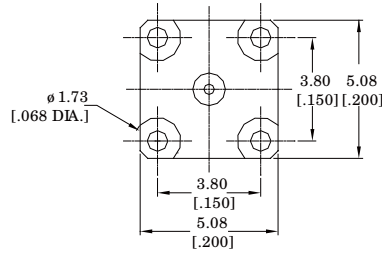
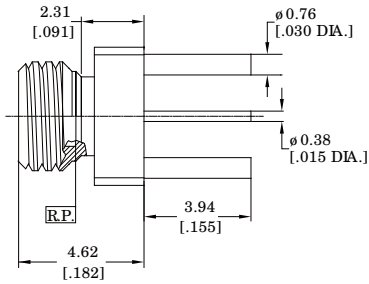
Connector No.	Type	Body Material And Finish
ANO 9421-5042-1	Full Detent	Beryllium Copper Alloy, Gold
ANO 9421-5042-2	Smooth Bore	Beryllium Copper Alloy, Gold



RECOMMENDED MOUNTING HOLE

**PCB Mount Connector
Plug (Male)**

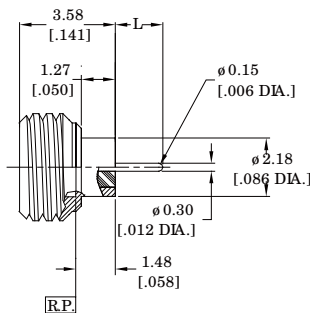
Connector No.	Type	Body Material And Finish
ANO 9411-5041-1	Full Detent	Beryllium Copper Alloy, Gold
ANO 9411-5041-2	Smooth Bore	Beryllium Copper Alloy, Gold



RECOMMENDED MOUNTING HOLE

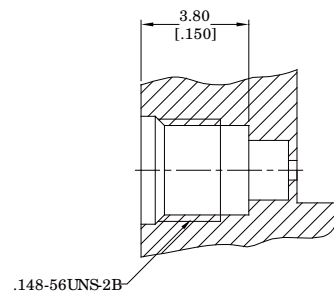
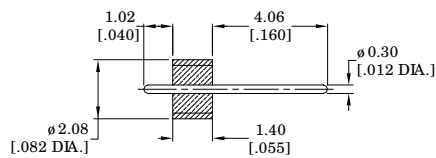
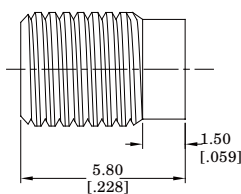
**Hermetic Shroud Connector
Plug (Male)**

Connector No.	Type	Contact Length(L)	Body Material And Finish
ANO 9411-5040-1	Full Detent	1.52 [.06]	Kovar, Gold
ANO 9411-5040-2	Full Detent	2.28 [.09]	Kovar, Gold
ANO 9411-5040-3	Smooth Bore	1.52 [.06]	Kovar, Gold
ANO 9411-5040-4	Smooth Bore	2.28 [.09]	Kovar, Gold



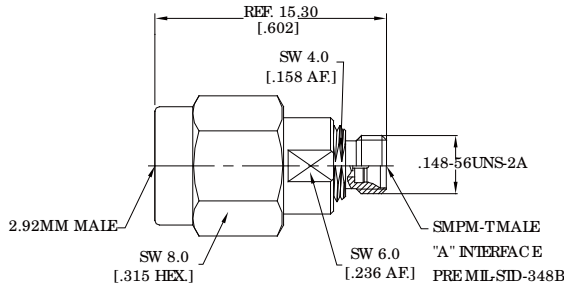
**Thread In Connector
Plug (Male)**

Connector No.	Type	Body Material And Finish
ANO 9411-5016-1	Full Detent	Stainless Steel, Passivated
ANO 9411-5016-2	Smooth Bore	Stainless Steel, Passivated

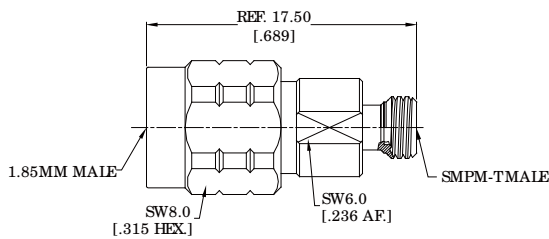


RECOMMEND MOUNTING HOLE

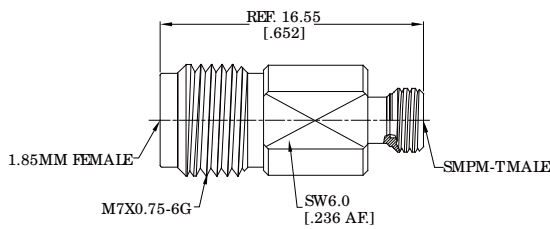
Adapter, 2.92mm Male To SMPM-T Male	Connector No.	"A" Interface	Body Material And Finish
	ANO 291-941-1484-1	Full Detent	Stainless Steel, Passivated
	ANO 291-941-1484-2	Smooth Bore	Stainless Steel, Passivated



Adapter, 1.85mm Male To SMPM-T Male	Connector No.	Interface	Body Material And Finish
	ANO 621-641-1524-1	Full Detent	Stainless Steel, Passivated
	ANO 621-641-1524-2	Smooth Bore	Stainless Steel, Passivated



Adapter, 1.85mm Female To SMPM-T Male	Connector No.	Interface	Body Material And Finish
	ANO 622-941-1525-1	Full Detent	Stainless Steel, Passivated
	ANO 622-941-1525-2	Smooth Bore	Stainless Steel, Passivated



Adapter, SMPM Female to SMPM Female	Connector No.	L	Body Material And Finish
	ANO 942-942-1381	6.73 [.265]	Beryllium Copper Alloy, Gold
	ANO 942-942-1526	5.36 [.211]	Beryllium Copper Alloy, Gold
	ANO 942-942-1527	12.7 [.500]	Beryllium Copper Alloy, Gold

